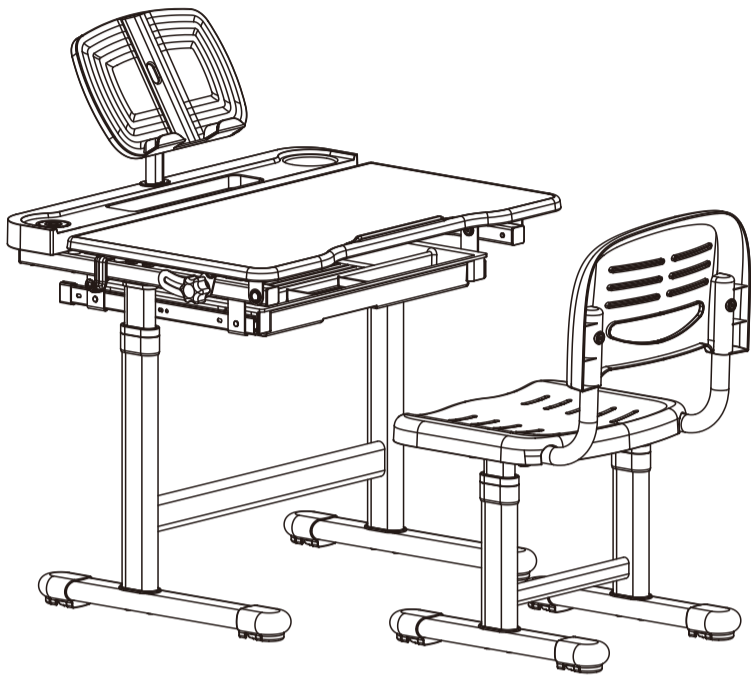


# toboli

Instruction Manual

## KIDS ADJUSTABLE DESK & CHAIR

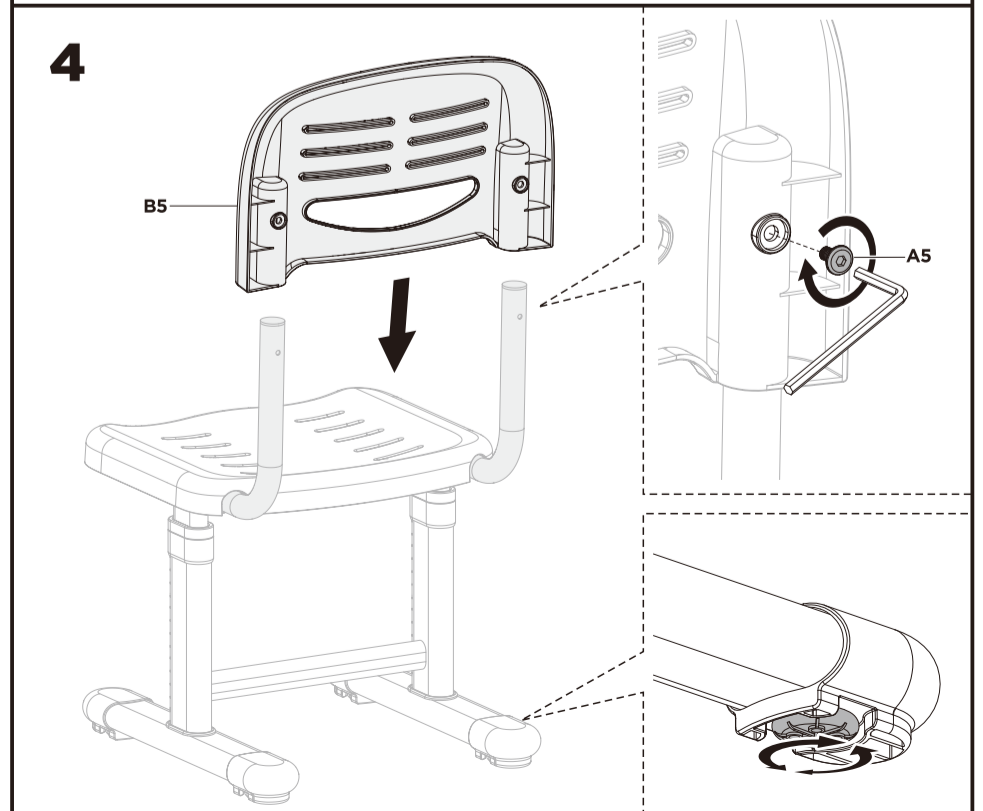
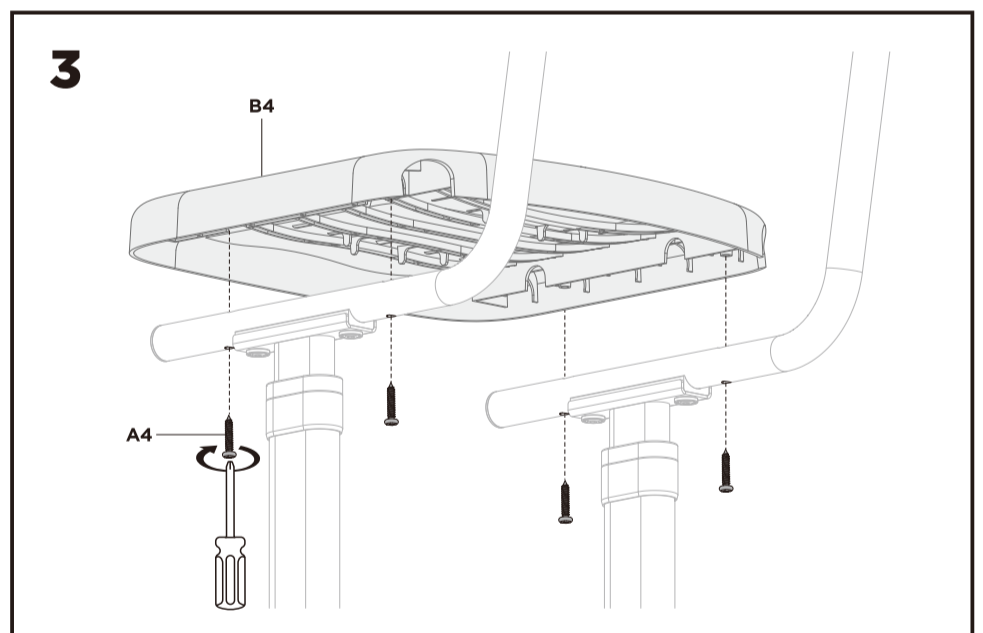
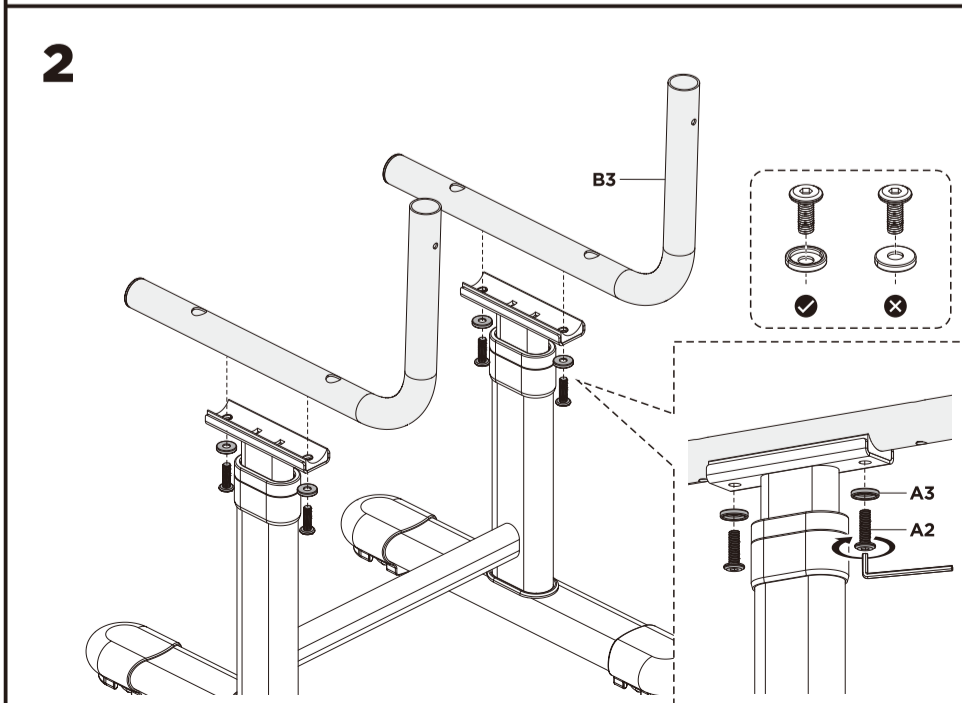
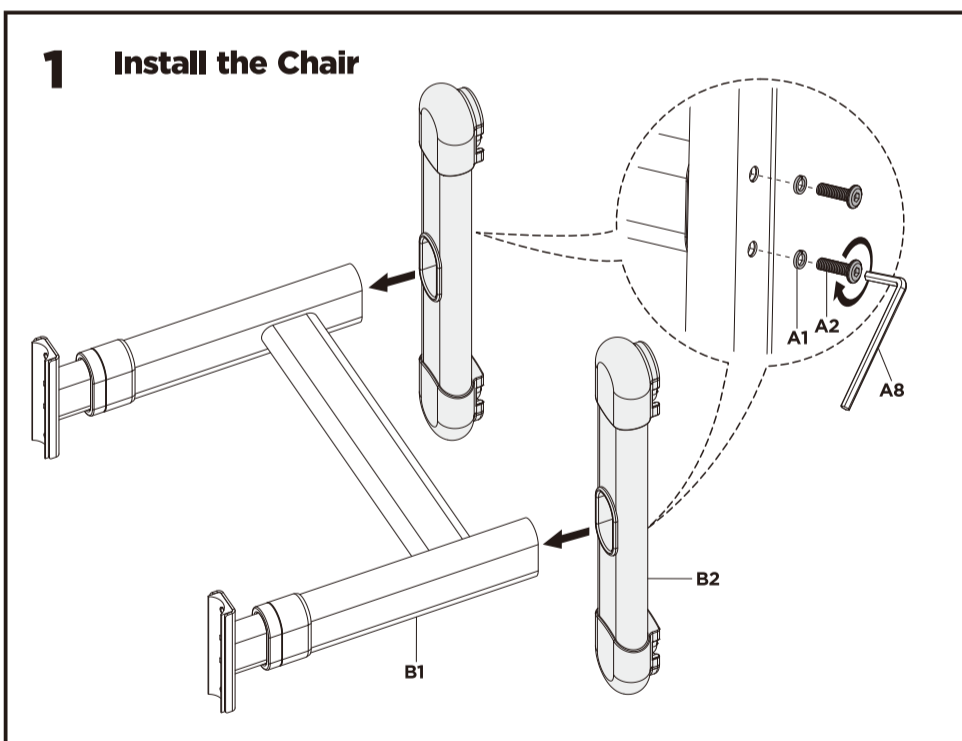
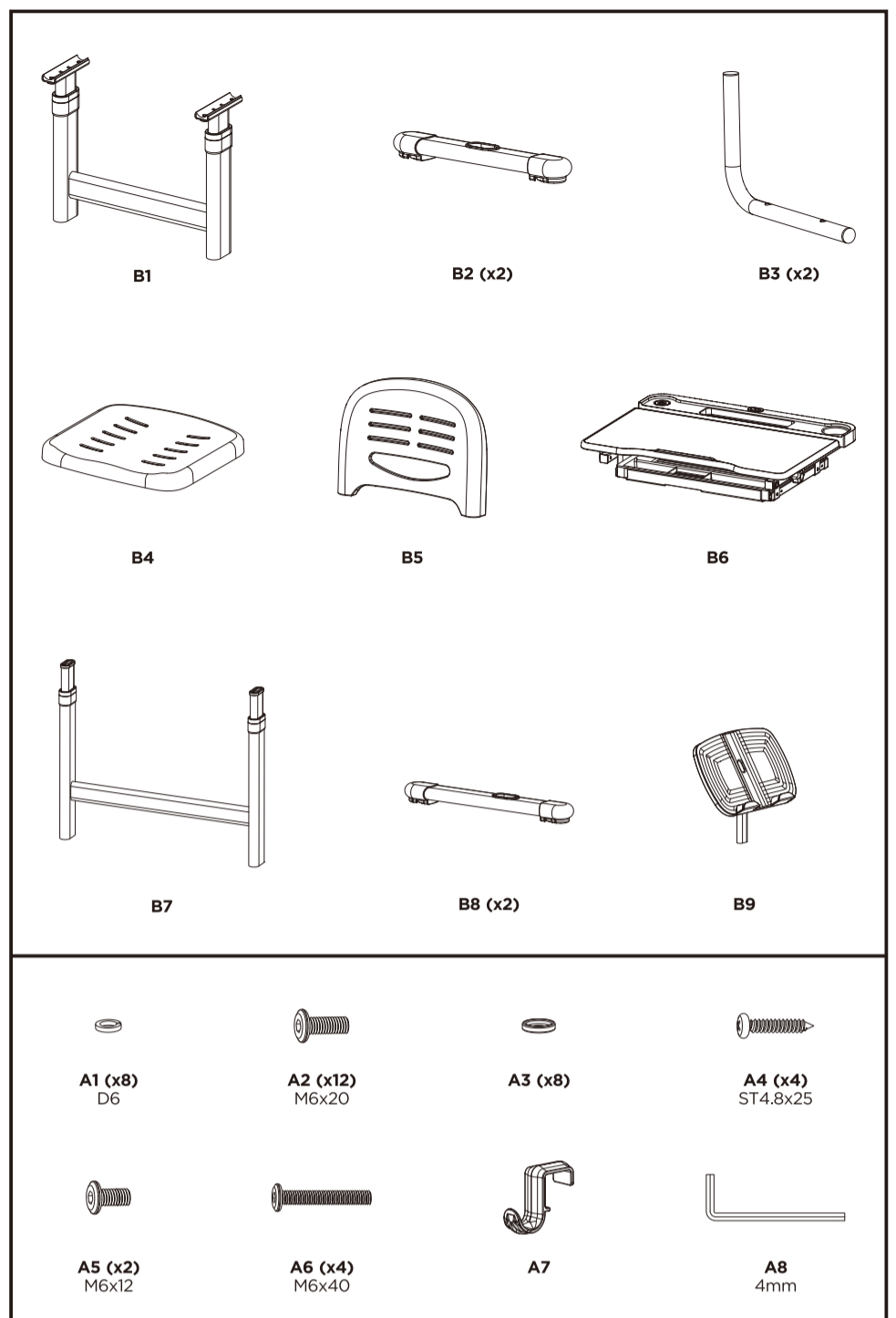


Model NO. 64388

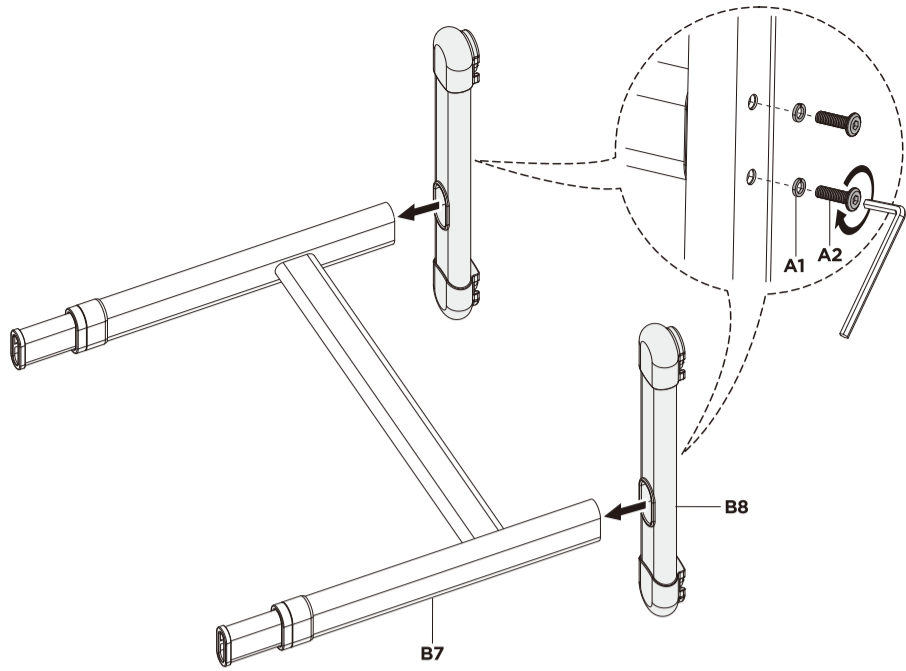


**CAUTION**

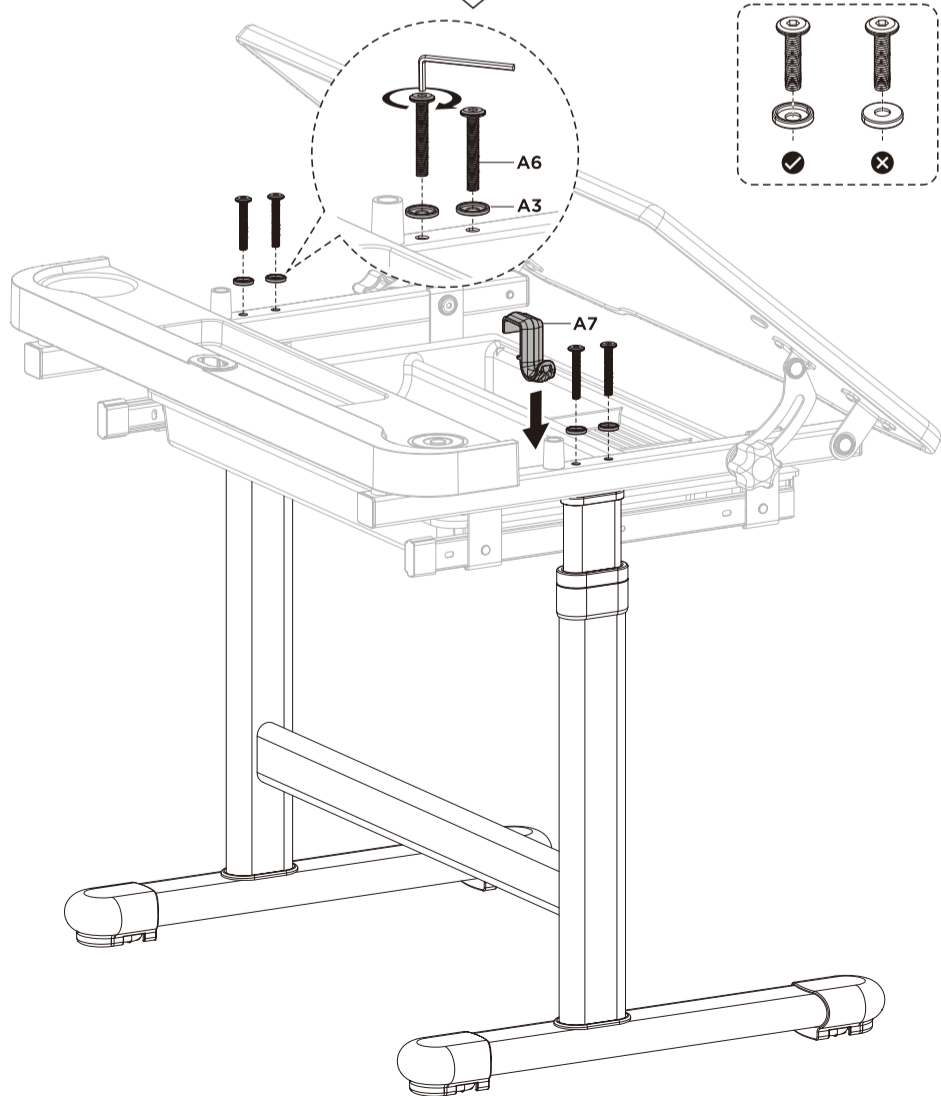
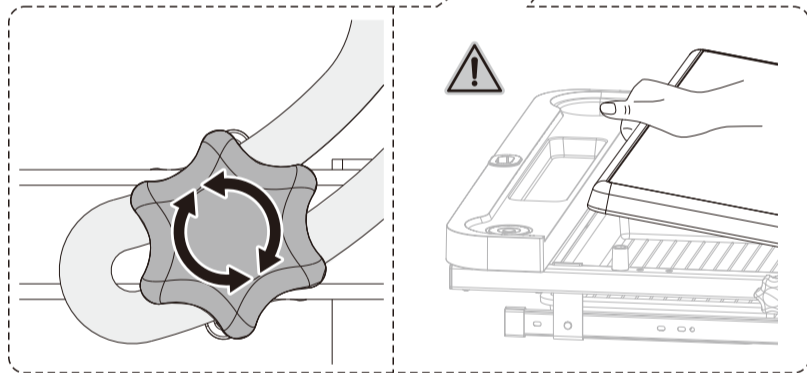
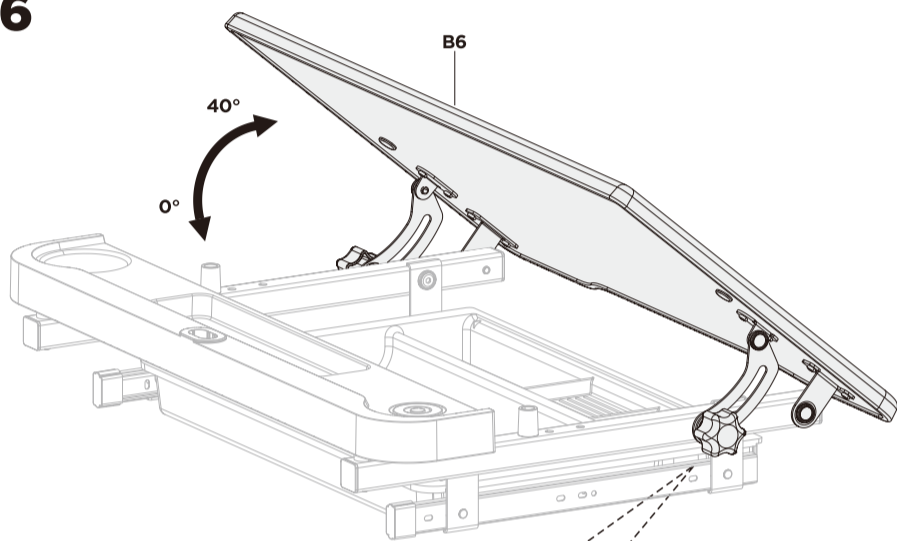
1. Read the entire instruction manual before you start installation and assembly. Improper installation may result in damage or serious personal injury.
2. Adult assembly required. Product contains small parts that present choking hazards for children.
3. Never fully tighten the screws until all hardware has been assembled and in proper place.
4. Never allow corrosives, moisture, or chemicals to make contact with the product as surface damage may occur. Should this happen, clean the surface immediately using a damp cloth.
5. The product is intended for indoor use only, using the product outdoors or in an uncontrolled environment may result in product failure.



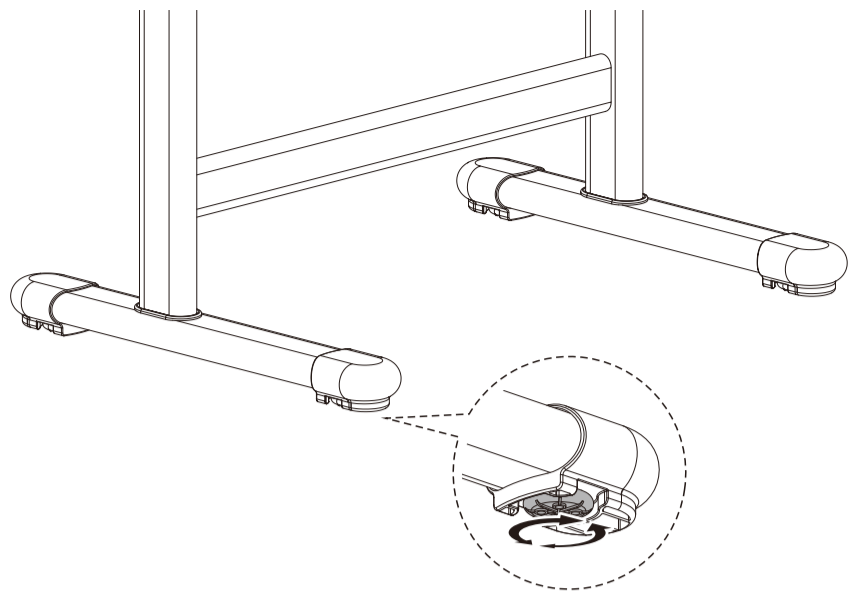
## 5 Install the Desk



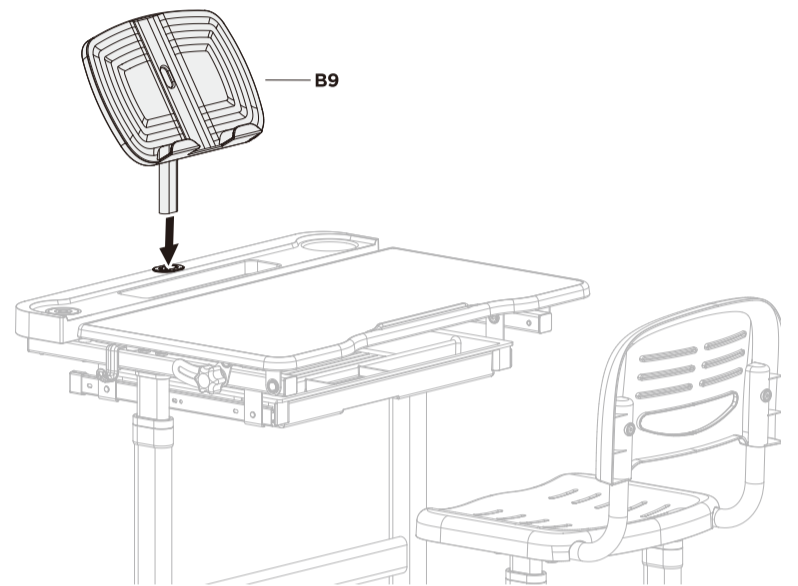
## 6



## 7



## 8



## 9 RAISING THE DESK/CHAIR

Stabilize the desk/chair by placing your foot on the crossbar and lift it to the desired height using both hands as shown.

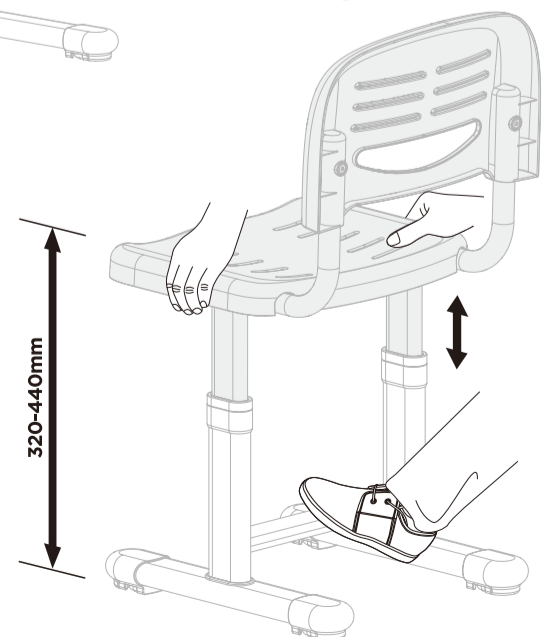
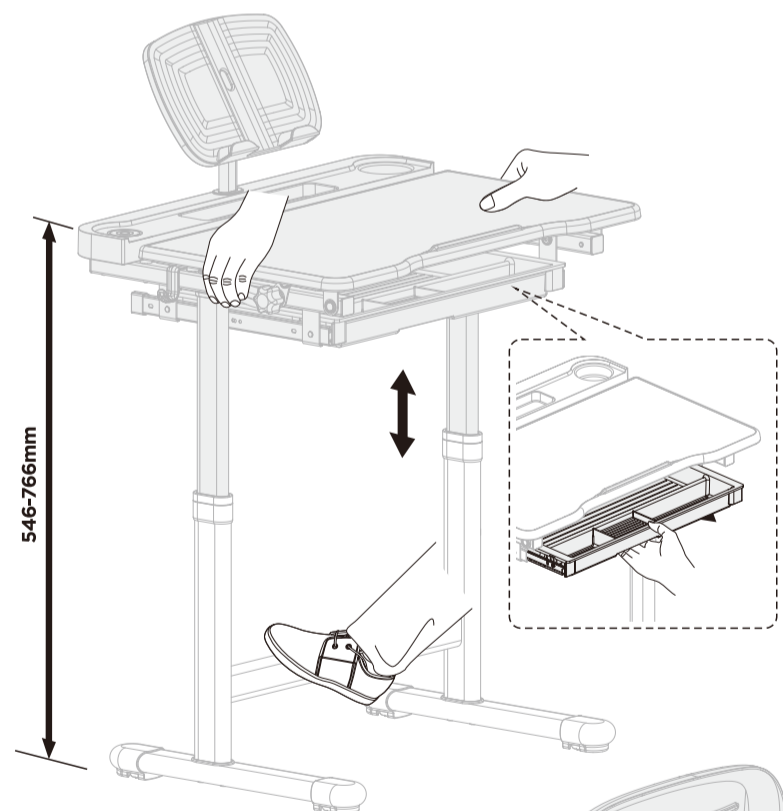
### LOWERING THE DESK/CHAIR

Stabilize the desk/chair by placing your foot on the crossbar. Lift it to the highest position using both hands, then lower it to the default position. Lift it again to the desired height.



### WARNING:

To avoid possible product damage or personal injury, always keep a firm hold on the desk/chair during height adjustments. Slowly release your hands when the desk/chair reaches and stays at your desired height.





## 64388 – Extendible Children’s Writing Desk

### Safety instructions

#### **Caution!**

- Before assembling the children’s writing desk, carefully read the entire manual. Any improper assembly might lead to a damage of the item and to severe injuries.
- Only adults may assemble the children’s writing desk. The scope of delivery includes parts that could be swallowed by children and thus present a choking hazard.
- Only tighten all screws after all parts have been mounted to the correct place.
- Corrosives, moisture, and chemicals must not come into contact with the product, as the surface of this might be damaged. In case there is a contact with these substances, immediately wipe the desk clean using a damp cloth.
- The children’s writing desk is only designed for indoor use. It might be damaged or show improper functions if used outdoors or in an uncontrolled environment.

### Note for step 9

#### *Raising the desk*

First place a foot on the crossbar. Then raise the desk by hand as shown.

#### *Lowering the desk*

First place a foot on the crossbar. Then raise the desk to its maximum height using both hand, lower it to the default size, and pull it up to the desired height.

#### **Warning!**

To prevent accidents or injuries, the desk or chair must always be held properly when raising or lowering them. Slowly take the hands off the desk/chair after these have reached the desired height and stay on this level.

Important note:

Reproduction and any commercial use (of parts) of this operating manual, requires a written permission of WilTec Wildanger Technik GmbH.