

Product Operation Manual

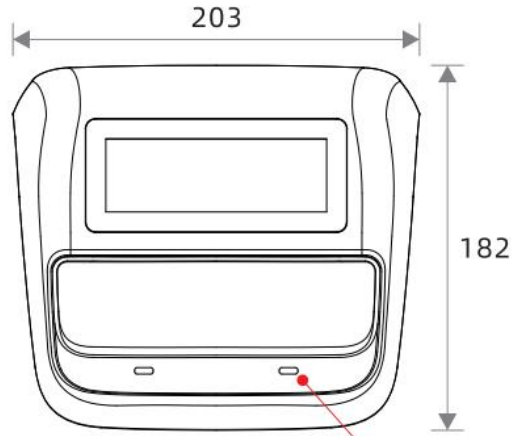


Disclaimer

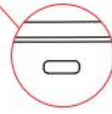
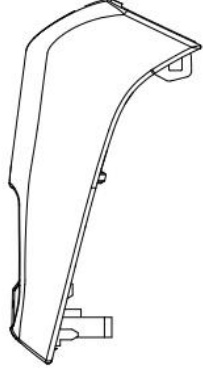
1. Do not install or repair this product by yourself. Installation or repair of this product by unauthorized or untrained personnel may cause danger
2. For your and others' personal safety, please do not operate this product while driving
3. Do not expose the product to liquid, which may cause damage to the product, smoke from the machine, short circuit, etc
4. The built-in function of this product is only used as an auxiliary prompt when you drive the vehicle, which does not mean that you can be distracted, careless or lose judgment when driving; The safety accident caused by this will not cover by our company
5. The pictures used in this manual are for reference only, and the loss caused by the misunderstanding will not cover by our company
6. If the product fails or cannot work normally, please consult the local dealer or contact our after-sales service technical specialist

Product Specification (Type- C Interface)

FRONT ▶



96

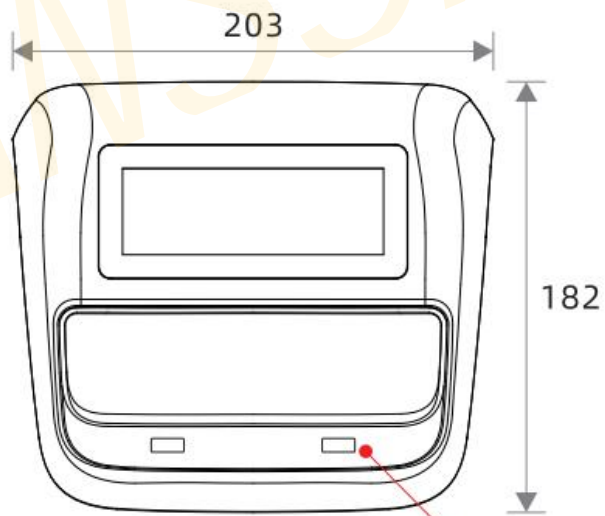


Type- C Interface

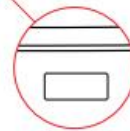
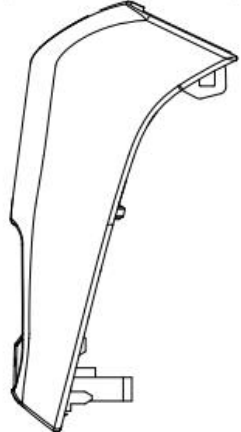
SIDE ▶

Product Specification (Type- A Interface)

FRONT ▶



96

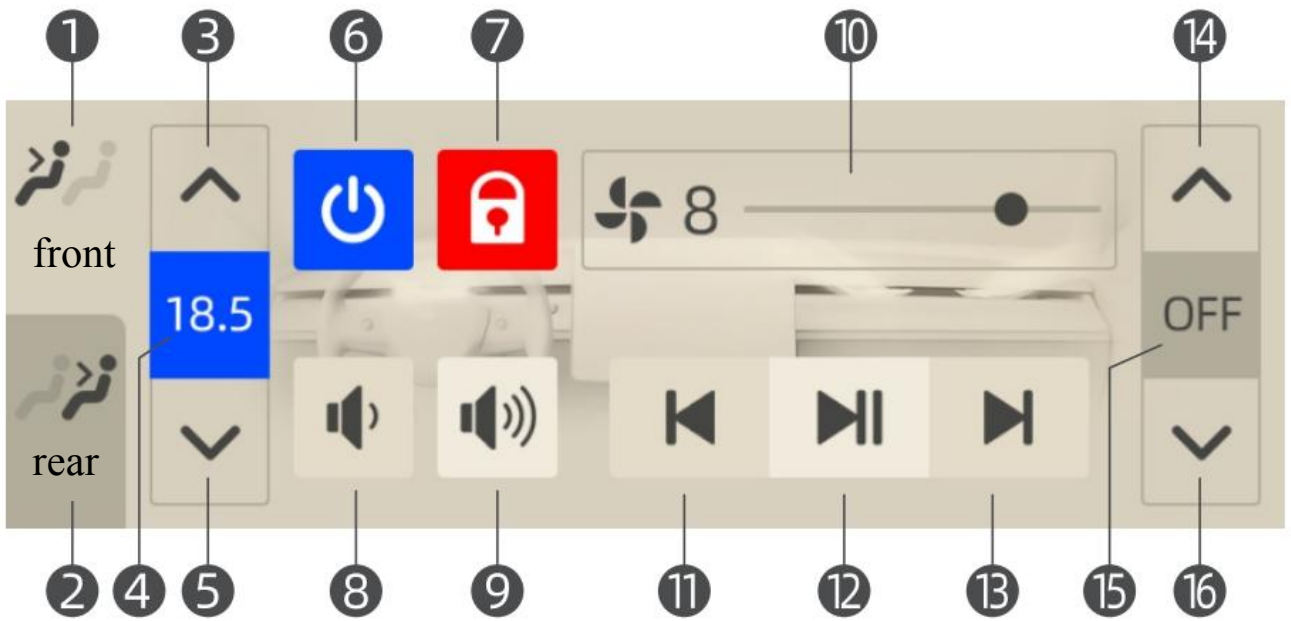


Type- A Interface

SIDE ▶

unit : mm

Function Description



①	front home page	⑧	volume down	⑮	right side temp display
②	back home page	⑨	volume up	⑯	right side temp: decrease
③	left side temp: increase	⑩	speed adjustment	⑰	rear A/C switch
④	left side temp display	⑪	prev song	⑱	backseat off
⑤	left side temp: decrease	⑫	play/pause	⑲	backseat heater adjustment
⑥	screen off	⑬	next song	⑳	co-pilot backrest adjustment
⑦	screen lock	⑭	right side temp: increase	㉑	co-pilot seat adjustment

Standby Clock

08:36

Clock - 1



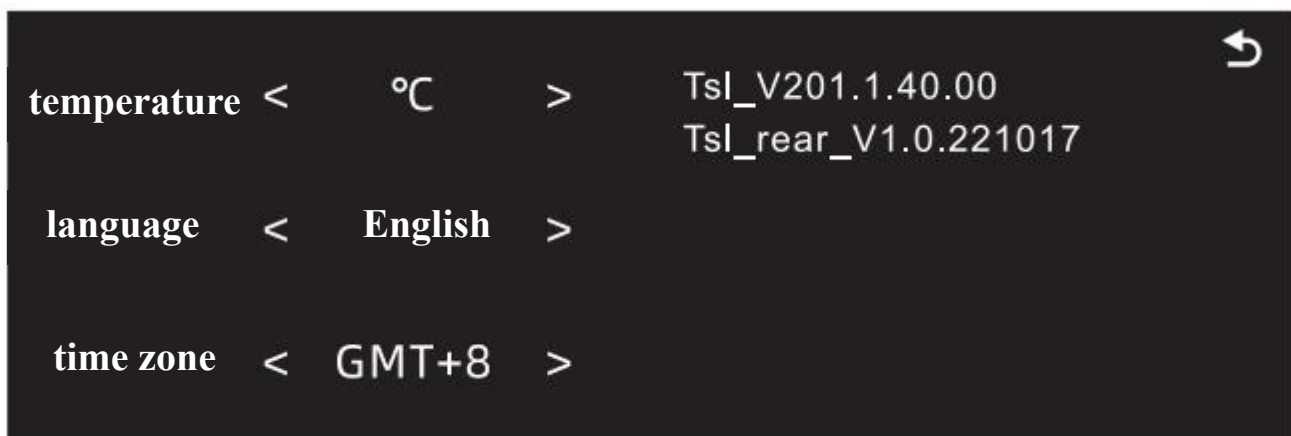
Clock - 2



Clock - 3

1. Automatically enter the standby clock display interface without operation for 30 seconds;
2. Swipe the left/right sides of the screen (gesture 1) to switch the clock style;
3. Tap the center of the screen (gesture 2) to re-enter the home page

Setting



Setting method

Long press the [rear] icon (No. ②) at the lower left corner of the home page for 3 seconds to enter the setting interface. After setting, click the return icon to save and exit

Product Specification

Product Name	Multi-function rear control screen
Compatible Model	Model 3/Y
Operation System	Linux
Screen Size	4.6 inch
Resolution	960*320
UI Interface	front homepage / back homepage
Screen-off Mode	Screen Off
Media Control	volume +/- ; prve/next song; pause play
Screen Saver Display	three style clock mode
Brightness Adjustment	Automatically change synchronously with the original vehicle
Lock Screen Function	Screen lock
Rear seat heating	three gears / Independent adjustment
Front and rear A/C control	switch/temperature/speed
Front passenger seat adjustment	Backrest : up and down / sear : front and rear of seat

Warranty

1. Due to the quality problem of the product itself, our company provides a one-year warranty period
2. During the warranty period, if the product fails due to the quality problem of the product itself, our company will provide maintenance services free of charge. If the product is damaged due to human error, the corresponding cost shall be paid
3. Products not within the scope of warranty can be provided with paid warranty if allowed by the company.
4. The following conditions are not covered by the warranty:
 - 1) Failure or damage caused by unauthorized modification or maintenance of products;
 - 2) The production date label is altered or torn;
 - 3) The product warranty label or warranty card is lost, damaged or altered;
 - 4) Damage caused by appearance damage and scratch;
 - 5) Damage caused by environmental conditions (such as power supply, temperature, humidity) or force majeure (such as traffic accident, earthquake, fire, water immersion, lightning, etc.).

HANSSHOW