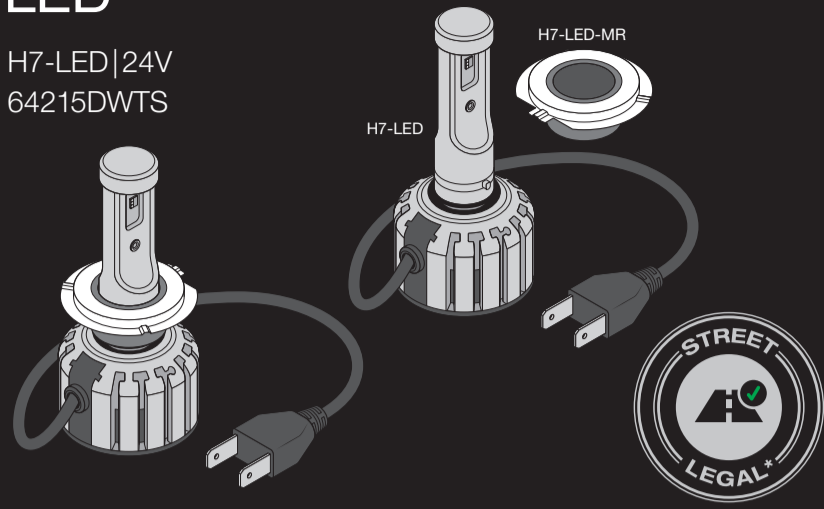


TRUCKSTAR® LED

H7-LED|24V
64215DWTS



* Applies only to vehicle models and light functions on the current compatibility list and in the respective country. For more details see www.osram.com/nb-led

TRUCKSTAR® LED

H7-LED|24V
64215DWTS

<http://www.osram.com/am-installation>

For questions regarding maintenance or technical problems, please contact OSRAM customer service via automotive-service@osram.com

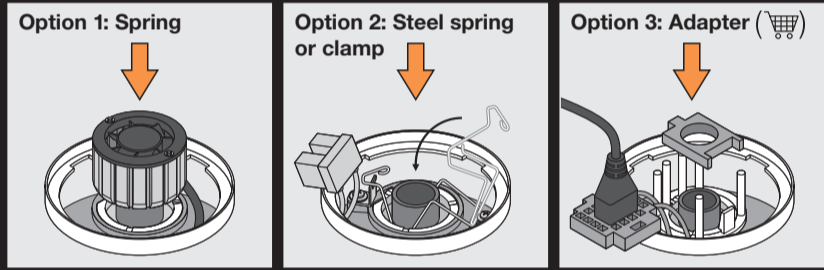
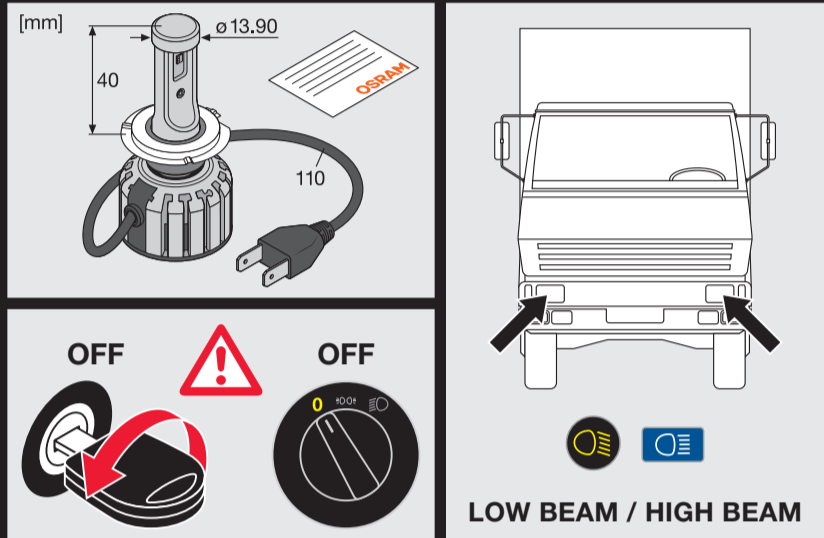


OSRAM Prosperity Co. Ltd
Room 4007-4009 Office Tower
Convention Plaza
1 Harbour Road
Wanchai, Hong Kong

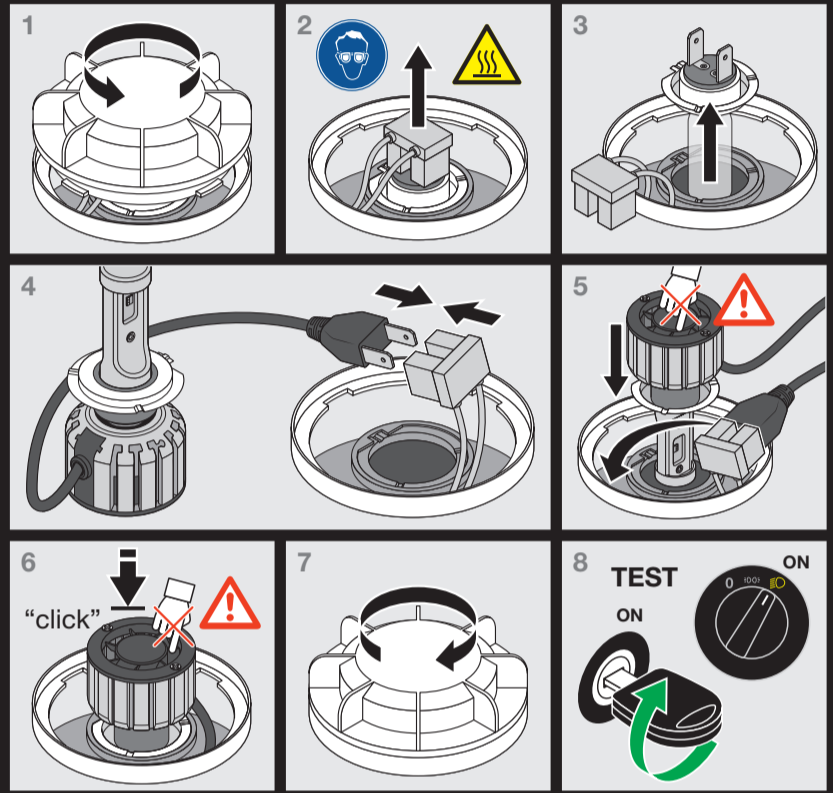
www.osram.com/am-guarantee

C15122315
G15124974
25.07.23

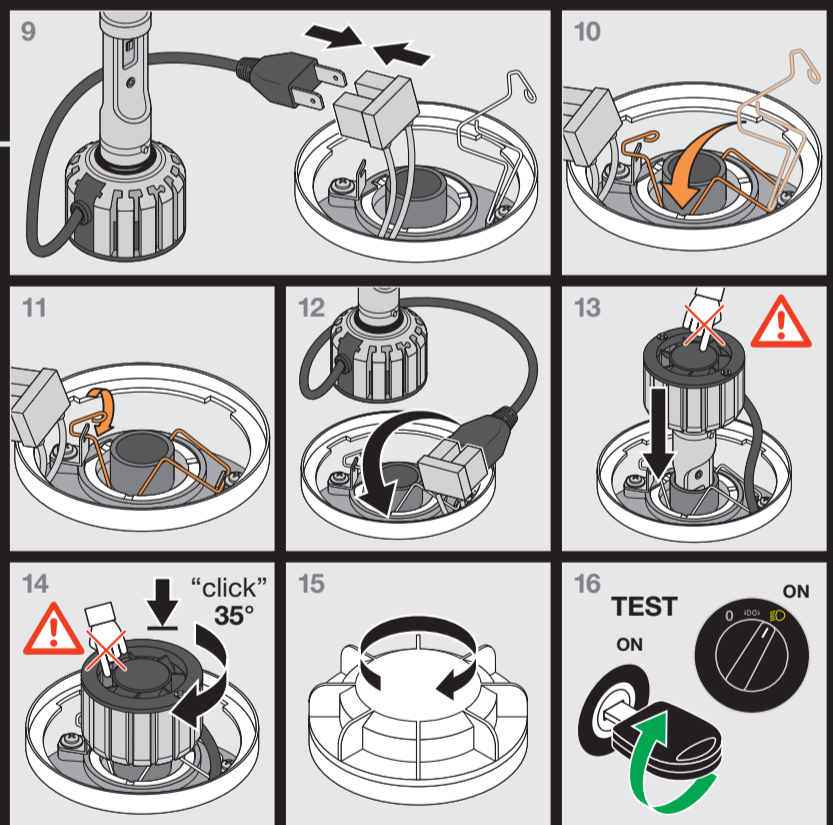
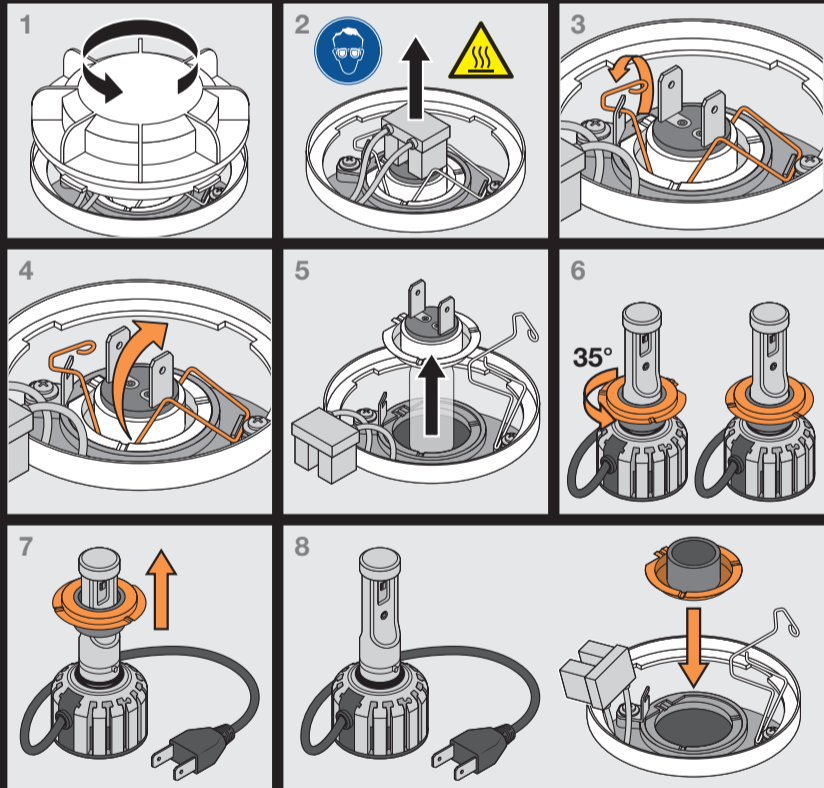
OSRAM GmbH
Nonnendammallee 44
13629 Berlin
Germany
www.osram.com



Option 1: Spring



Option 2: Steel spring or clamp



Option 3: Adapter

Vehicle	Adapter
Vehicle A	64210DA**
Vehicle B	-
...	-
...	-

Refer to the specific installation instructions of the adapter for detailed information.¹⁰⁾

