

COMP diECi

DT 24.3 80W



Compact **SIZE**

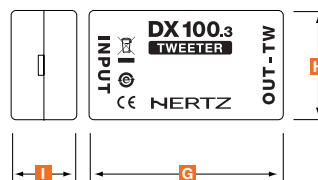
Technical Specifications

Component	-	Tweeter
Size	mm (in.)	24 (0,9)
Power handling	W peak	80 W @ 3,5 kHz 6 dB Oct
	W continuous	-
Impedance	Ω	4
Frequency response	Hz	3k ÷ 23k
Sensitivity	dB SPL	94
Magnet size D-d-h	mm (in.)	-
Voice coil \varnothing	mm (in.)	-
Magnet	-	Neodymium
Dome	-	PEI
Weight of one component	kg (lb.)	0,03 (0.07)
Crossover	-	Hi Pass
Crossover cut off	-	3,5 kHz @ 6 dB Oct

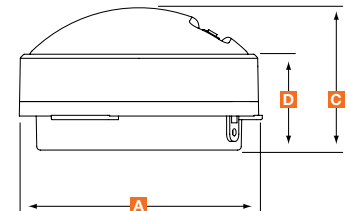
1. 24 mm PEI dome-cone tweeter.
2. High efficiency annular acoustic lens.
3. High energy neodymium magnet.
4. Mounting accessories for external or embedded mounting included.

Electro-Acoustic Parameters

D	mm	24
Xmax	mm	-
Re	Ω	3,3
Fs	Hz	2800
Le	mH @ 1 kHz	0,3
Le	mH @ 10 kHz	0,04
Vas	l	-
Mms	g	-
Cms	mm/N	-
BL	T-m	-
Qts	-	-
Qes	-	-
Qms	-	-
Spl	dB	94

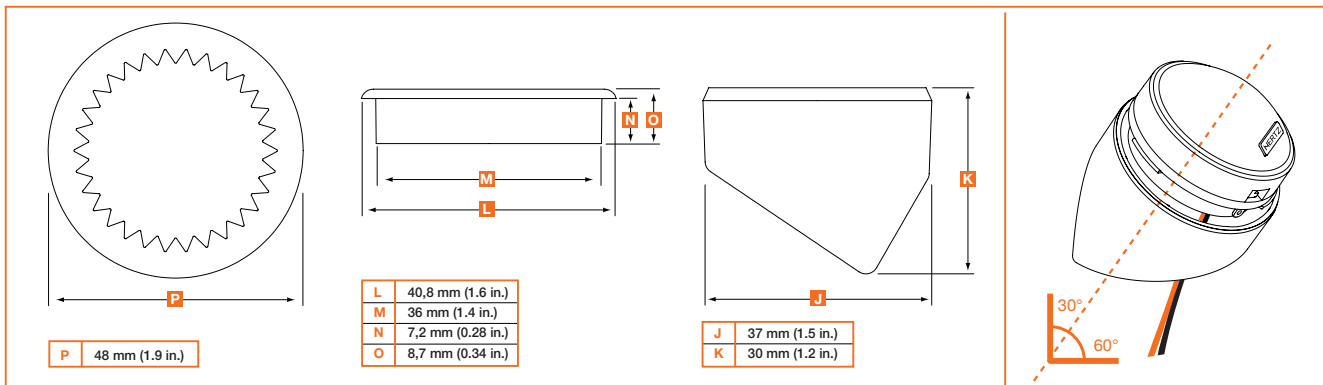


G	44 mm (1.7 in.)
H	26 mm (1.0 in.)
I	20 mm (0.8 in.)



A	34 mm (1.3 in.)
B	-
C	20 mm (0.8 in.)
D	13 mm (0.5 in.)

MOUNTING ACCESSORIES



P	48 mm (1.9 in.)
---	-----------------

L	40,8 mm (1.6 in.)
M	36 mm (1.4 in.)
N	7,2 mm (0.28 in.)
O	8,7 mm (0.34 in.)

J	37 mm (1.5 in.)
K	30 mm (1.2 in.)