



by HARMAN®

STAGE1 SPEAKERS



Stage1 62

Stage1 42F

Stage1 62F

Stage1 52F

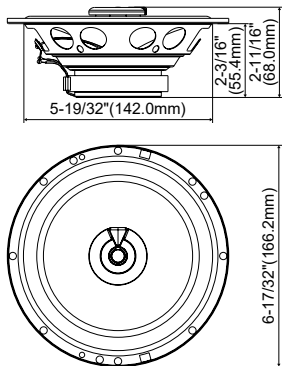
Stage1 62CF

Stage1 192T

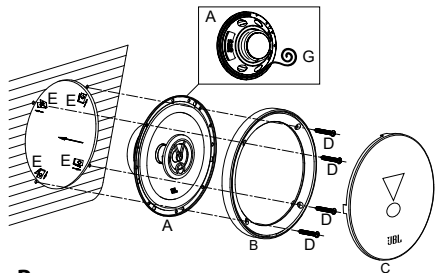
Stage1 962M

Stage1 62

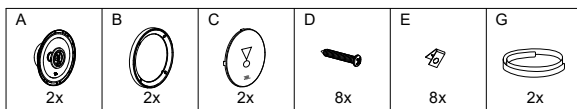
Dimension



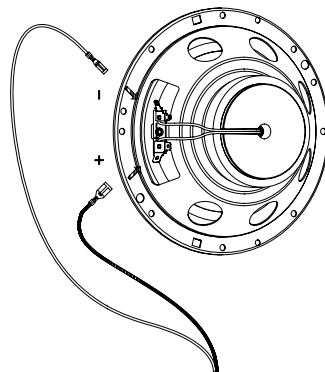
Installation



What's in the Box



Connection



Specifications

- Speaker: 6-1/2" (165mm) Coaxial Car Speaker with Grille
- Power Handling: *50W RMS, 400W peak
- Sensitivity (@2.83V): 89dB
- Frequency Response: 55Hz – 20kHz
- Nominal Impedance: 4ohm

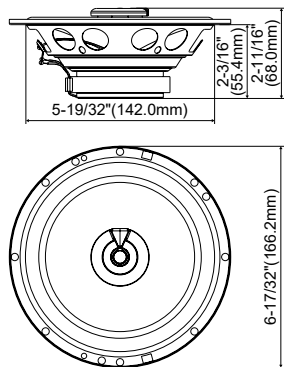
Thiele-Small Parameters

- BL (Tm): 3.097
- DCR (Ohms): 3.25
- Mms (g): 11.25
- Sd (cm²): 132.73
- Cms (um/N): 382
- Vas (L): 9.515
- Fs (Hz): 76.8
- Qes: 1.841
- Qms: 8.749
- Qts: 1.521
- Crossover Point: 5200Hz

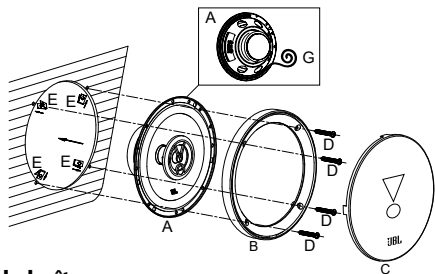
*50W RMS: Long-term maximum power refer to IEC 60268
25W RMS: 100H continuous testing at rated power refers to IEC 60268

Stage1 62

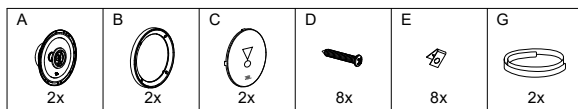
Dimensions



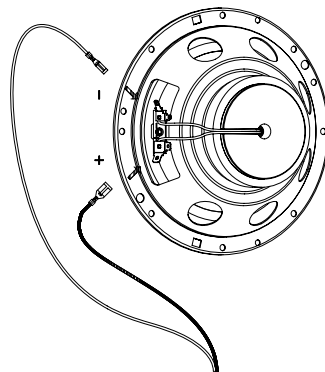
Installation



Contenu de la boîte



Connexion



Caractéristiques

- Haut-parleur : Haut-parleur de voiture coaxial de 6-1/2" (165 mm) avec grille
- Puissance admissible : *50 W RMS, 400 W crête
- Sensibilité (à 2,83 V) : 89 dB
- Réponse en fréquence : 55 Hz – 20 kHz
- Impédance nominale : 4 ohms

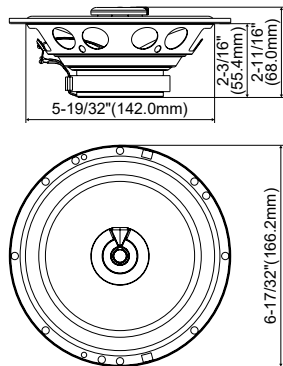
Paramètres de Thiele-Small

- BL (Tm) : 3.097
- DCR (Ohms) : 3.25
- Mms (g) : 11.25
- Sd (cm²) : 132.73
- Cms (um/N) : 382
- Vas (L) : 9.515
- Fs (Hz) : 76.8
- Qes : 1.841
- Qms : 8.749
- Qts : 1.521
- Point de croisement : 5200Hz

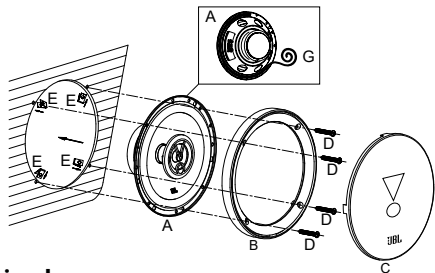
*50W RMS : La puissance maximale à long terme se réfère à IEC 60268
25W RMS : Le test continu 100h à puissance nominale se réfère à IEC 60268

Stage1 62

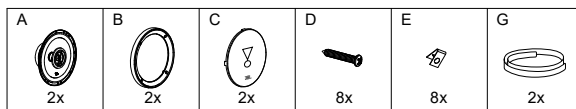
Mål



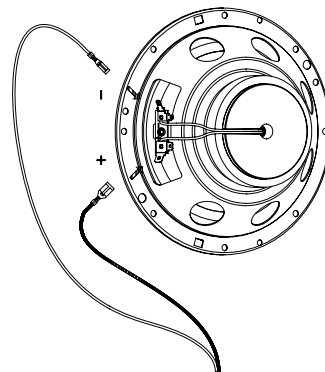
Installation



Hvad er der i æsken



Forbindelse



Specifikationer

- Højttaler: 6-1/2" (165 mm) koaksial bilhøjttaler med gitter
- Effekthåndtering: *50 W RMS, 400 W spidsbelastning
- Følsomhed (ved 2,83V): 89 dB
- Frekvensområde: 55 Hz – 20 kHz
- Nominel impedans: 4 ohm

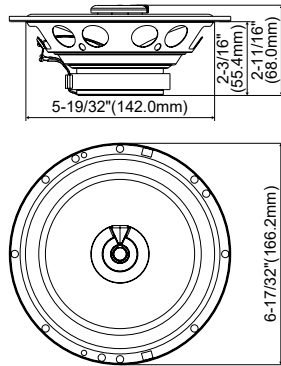
Thiele-Small-parametre

- BL (Tm): 3.097
- DCR (ohm): 3.25
- Mms (g): 11.25
- Sd (cm²): 132.73
- Cms (um/N): 382
- Vas (L): 9.515
- Fs (Hz): 76.8
- Qes: 1.841
- Qms: 8.749
- Qts: 1.521
- Overgangspunkt: 5200Hz

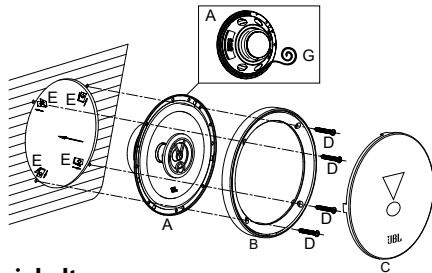
*50W RMS: Maksimal effekt på lang sigt i henhold til IEC 60268
25W RMS: 100 timers kontinuerlig test ved nominal effekt refererer til IEC 60268

Stage1 62

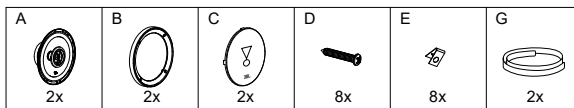
Abmessungen



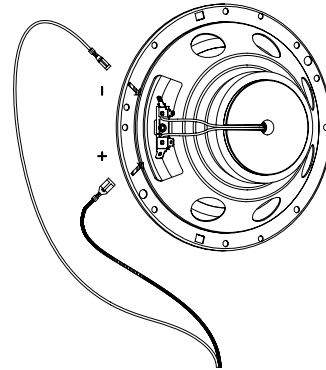
Installation



Verpackungsinhalt



Verbindung



Technische Daten

- Lautsprecher: 6-1/2 Zoll (165 mm)
Koaxial-Autolautsprecher mit Grill
- Belastbarkeit: *50W (eff), 400W (Spitze)
- Empfindlichkeit (bei 2,83 V): 89 dB
- Frequenzgang: 55 Hz – 20 kHz
- Nennimpedanz: 4 Ohm

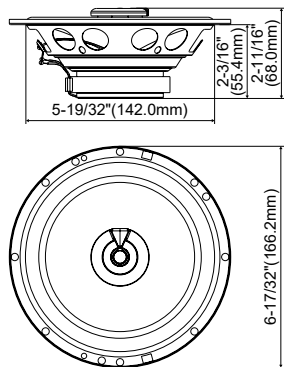
Thiele-Small-Parameter

- BL (Tm): 3.097
- DCR (Ohm): 3.25
- Mms (g): 11.25
- Sd (cm²): 132.73
- Cms (µm/N): 382
- Vas (L): 9.515
- Fs (Hz): 76.8
- Qes: 1.841
- Qms: 8.749
- Qts: 1.521
- Crossover-Punkt: 5200Hz

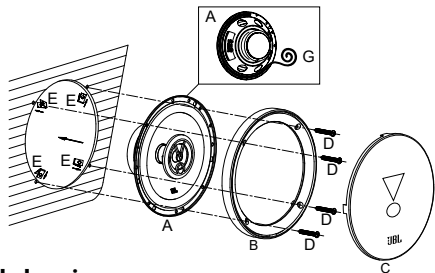
*50W RMS: Langfristig maximale Leistung gemäß IEC 60268
25W RMS: 100 Stunden Dauertest bei Nennleistung gemäß IEC 60268

Stage1 62

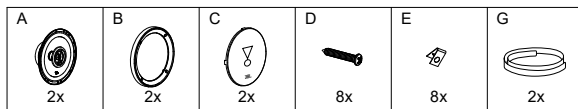
Dimensiones



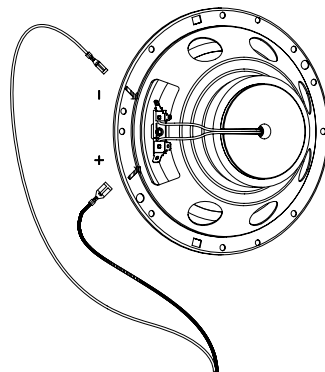
Instalación



Contenido de la caja



Conexión



Especificaciones

- Altavoz: Altavoces coaxiales de 6-1/2" (165 mm) con rejilla para coche
- Capacidad de potencia: *50 W RMS, 400 W pico
- Sensibilidad (2,83 V): 89 dB
- Respuesta en frecuencia: 55 Hz - 20 kHz
- Impedancia nominal: 4 ohmios

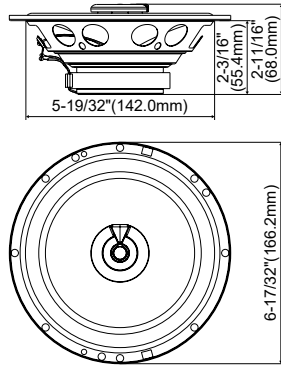
Parámetros Thiele-Small

- BL (Tm): 3.097
- DCR (Ohms): 3.25
- Mms (g): 11.25
- Sd (cm²): 132.73
- Cms (um/N): 382
- Vas (L): 9.515
- Fs (Hz): 76.8
- Qes: 1.841
- Qms: 8.749
- Qts: 1.521
- Punto de corte de frecuencia: 5200Hz

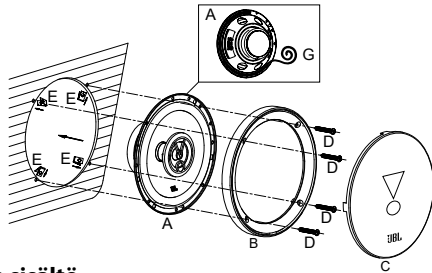
*50W RMS: Potencia máxima a largo plazo según la normativa IEC 60268
25W RMS: Prueba continua de 100 horas a potencia nominal según la normativa IEC 60268

Stage1 62

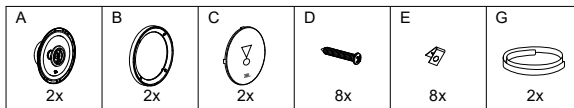
Mitat



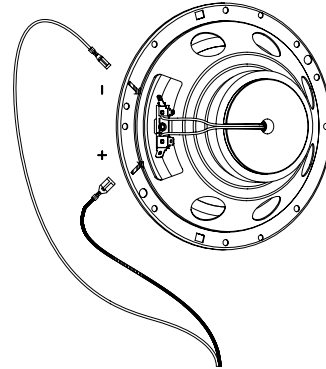
Asennus



Pakkauksen sisältö



Liitäntä



Tekniset tiedot

- Kaiutin: 6-1/2" (165 mm) koaksiaalinen autokaiutin ritilällä
- Tehonkesto: *50W RMS, 400W huippu
- Herkkyys (@2,83 V): 89dB
- Taajuusvaste: 55Hz – 20 kHz
- Nimellisimpedanssi: 4 ohmia

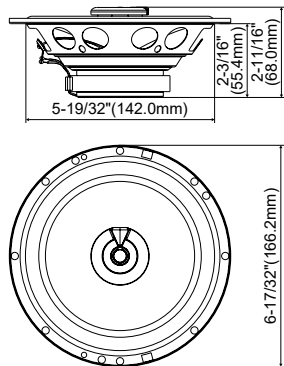
Thiele-Small-parametrit

- BL (Tm): 3.097
- DCR (Ohmia): 3.25
- Mms (g): 11.25
- Sd (cm²): 132.73
- Cms (um/N): 382
- Vas (L): 9.515
- Fs (Hz): 76.8
- Qes: 1.841
- Qms: 8.749
- Qts: 1.521
- Crossover-kohta: 5200Hz

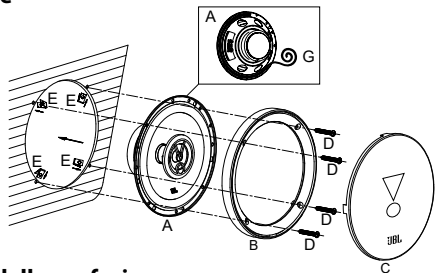
*50W RMS: Pitkäaikainen enimmäisteho on IEC 60268:n mukainen
25W RMS: 100h jatkuva testaus nimellisteholla viittaa standardiin IEC 60268

Stage1 62

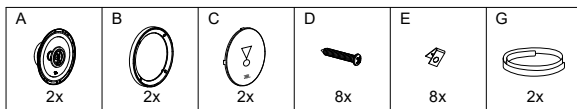
Dimensioni



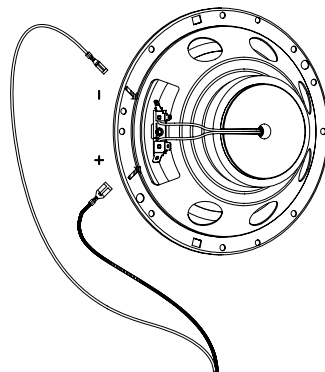
Installazione



Contenuto della confezione



Collegamento



Specifiche

- Altoparlante: Altoparlante coassiale per auto da 6-1/2" (165 mm), con griglia
- Capacità di gestione della potenza: *50 W RMS, 400 W picco
- Sensibilità (a 2,83V): 89 dB
- Risposta in frequenza: 55Hz - 20kHz
- Impedenza nominale: 4 ohm

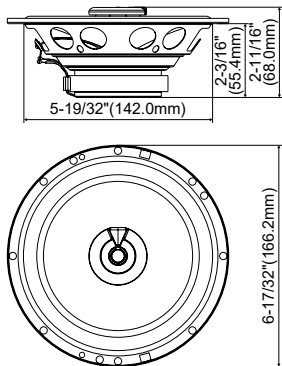
Thiele-Small Parameters

- BL (Tm): 3.097
- DCR (Ohm): 3.25
- Mms (g): 11.25
- Sd (cm²): 132.73
- Cms (um/N): 382
- Vas (L): 9.515
- Fs (Hz): 76.8
- Qes: 1.841
- Qms: 8.749
- Qts: 1.521
- Punto di crossover: 5200Hz

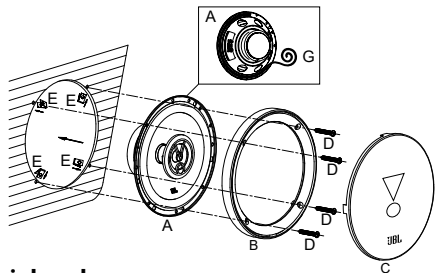
*50W RMS: La potenza massima a lungo termine fa riferimento alla norma IEC 60268
25W RMS: Il test continuo di 100 ore alla potenza nominale fa riferimento alla norma IEC 60268

Stage1 62

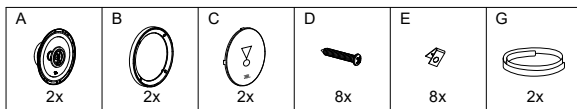
Afmetingen



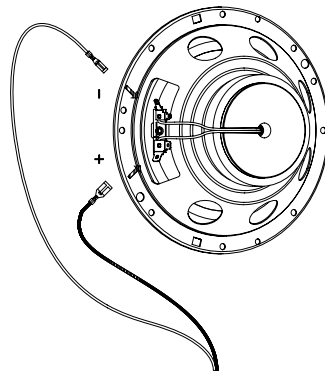
Installatie



Verpakking inhoud



Verbinding



Specificaties

- Luidspreker: 165 mm (6-1/2 inch) coaxiale autoluidspreker met rooster
- Vermogen: *50 W RMS, 400 W piek
- Gevoeligheid (2,83 V): 89 dB
- Frequentierespons: 55 Hz – 20 kHz
- Nominale impedantie: 4 ohm

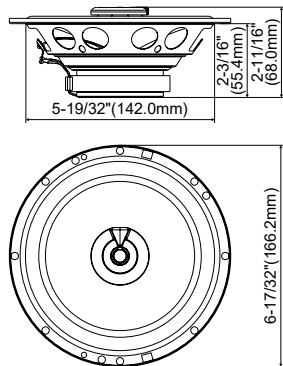
Thiele-kleine parameters

- BL (Tm): 3.097
- DCR (Ohms): 3.25
- Mms (g): 11.25
- Sd (cm²): 132.73
- Cms (um/N): 382
- Vas (L): 9.515
- Fs (Hz): 76.8
- Qes: 1.841
- Qms: 8.749
- Qts: 1.521
- Crossover Point: 5200Hz

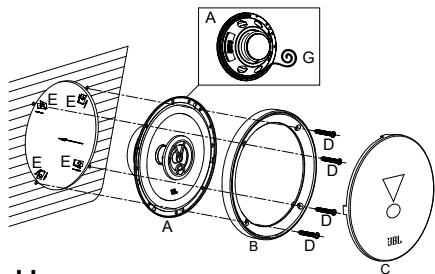
*50W RMS: Maximaal vermogen op lange termijn zie IEC 60268
25W RMS: 100H continu testen bij nominaal vermogen verwijst naar IEC 60268

Stage1 62

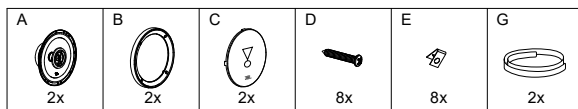
Mål



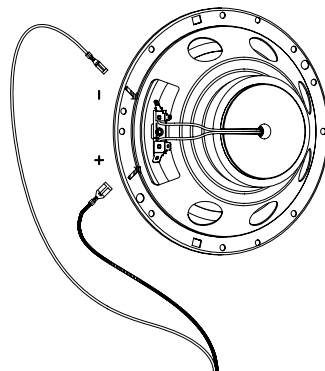
Installering



Eskens innhold



Tilkobling



Spesifikasjoner

- Høyttaler: 6-1/2" (165 mm) Koaksial bilhøyttaler med gitter
- Effekthåndtering: *50 W RMS, 400 W topp
- Følsomhet (@2,83 V): 89 dB
- Frekvensrespons: 55 Hz – 20 kHz
- Nominell impedans: 4ohms

Thiele-Small-parametre

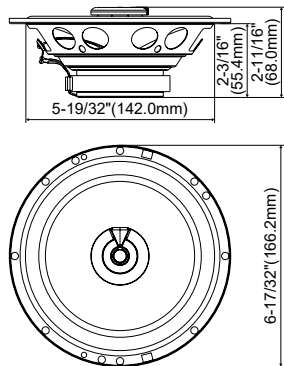
- BL (Tm): 3.097
- DCR (Ohms): 3.25
- Mms (g): 11.25
- Sd (cm²): 132.73
- Cms (um/N): 382
- Vas (L): 9.515
- Fs (Hz): 76.8
- Qes: 1.841
- Qms: 8.749
- Qts: 1.521
- Krysspunkt: 5200Hz

*50W RMS: Maksimal effekt over lang tid henviser til IEC 60268

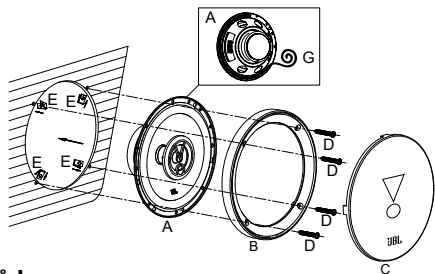
25W RMS: 100 H kontinuerlig testing ved nominell effekt henviser til IEC 60268

Stage1 62

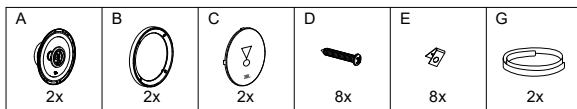
Mått



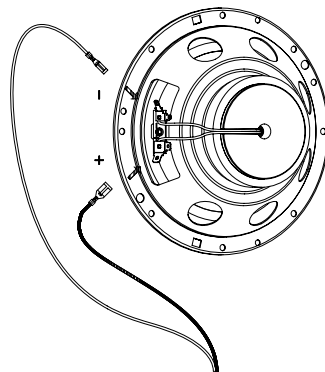
Installation



Vad finns i lådan



Anslutning



Specifikationer

- Högtalare: 6 1/2-tums (165 mm) koaxial bilhögtalare med galler
- Effekthantering: *50 W RMS, 400 W max
- Känslighet (2,83 V): 89 dB
- Frekvensåtergivning: 55 Hz–20 kHz
- Nominell impedans: 4 ohm

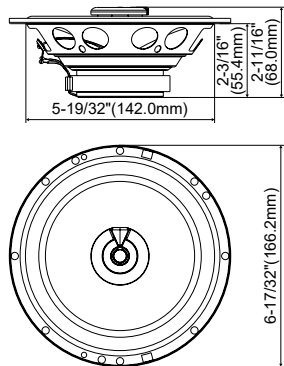
Thiele-små parametrar

- Bl (Tm): 3.097
- DCR (ohm): 3.25
- Mms (g): 11.25
- Sd (cm²): 132.73
- Cms (um/N): 382
- Vas (L): 9.515
- Fs (Hz): 76.8
- Qes: 1.841
- Qms: 8.749
- Qts: 1.521
- Delningsfrekvens: 5200Hz

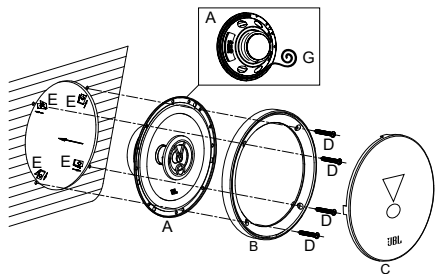
*50W RMS: Långsiktig maximal effekt enligt IEC 60268
25W RMS: 100H kontinuerlig testning vid nominell effekt refererar till IEC 60268

Stage1 62

尺寸



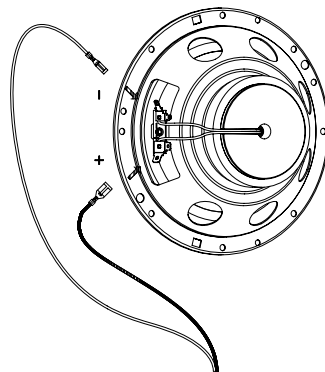
安装



产品清单

A	B	C	D	E	G
2x	2x	2x	8x	8x	2x

连接



参数规格

- 扬声器：6.5" (165mm) 同轴车载扬声器（有网罩）
- 功率处理能力：*50W RMS（峰值为400W）
- 灵敏度 (@2.83V)：89dB
- 频率响应：55Hz - 20kHz
- 标称阻抗：4Ω

Thiele-Small 参数

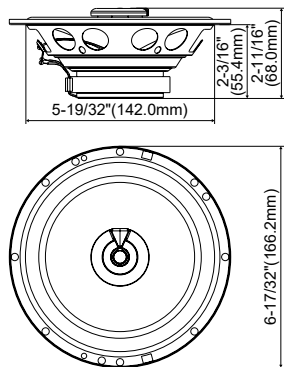
- BL (Tm): 3.097
- DCR (Ohms): 3.25
- Mms (g): 11.25
- Sd (cm²): 132.73
- Cms (um/N): 382
- Vas (L): 9.515
- Fs (Hz): 76.8
- Qes: 1.841
- Qms: 8.749
- Qts: 1.521
- 分频点: 5200Hz

*50W RMS: 参照 IEC 60268 标准的长期最大功率

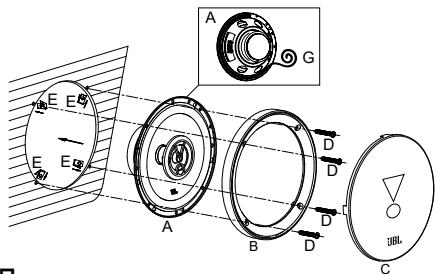
25W RMS: 参照 IEC 60268 标准, 在额定功率下连续测试 100 小时

Stage1 62

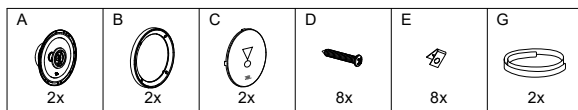
尺寸



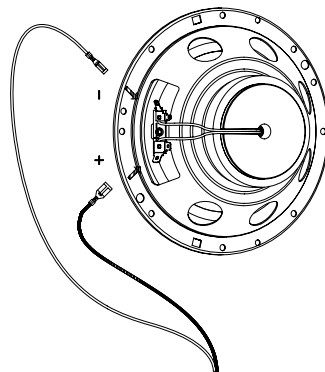
安裝



包裝盒內物品



連接



規格

- 喇叭：6-1/2" (165mm) 同軸車載喇叭，附網罩
- 功率處理：*50W RMS，400W 峰值
- 靈敏度 (@2.83V)：89dB
- 頻率回應：55 Hz – 20 kHz
- 標稱阻抗：4ohms

Thiele-Small 參數

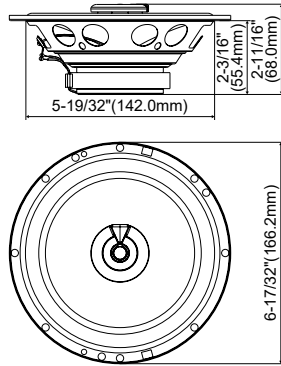
- BL (Tm): 3.097
- DCR (歐姆)：3.25
- Mms (g): 11.25
- Sd (cm²): 132.73
- Cms (um/N): 382
- Vas (L): 9.515
- Fs (Hz): 76.8
- Qes: 1.841
- Qms: 8.749
- Qts: 1.521
- 分頻點：5200Hz

*50W RMS: 長期最大功率，請參考 IEC 60268

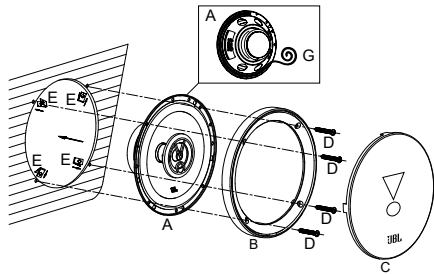
25W RMS: 於額定功率下進行 100H 持續測試，請參考 IEC 60268

Stage1 62

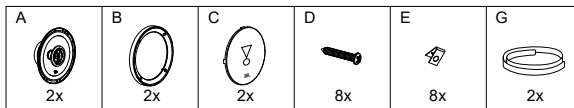
Dimensi



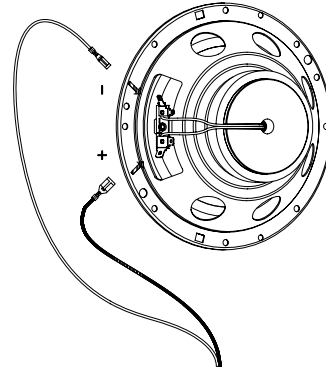
Instalasi



Isi kotak



Sambungan



Spesifikasi

- Speaker: Speaker Mobil Koaksial 6-1/2" (165mm) dengan Gril
- Penanganan Daya: *50 W RMS, 400 W puncak
- Sensitivitas (@2,83V): 89 dB
- Respons Frekuensi: 55 Hz – 20 kHz
- Impedansi Nominal: 4 ohm

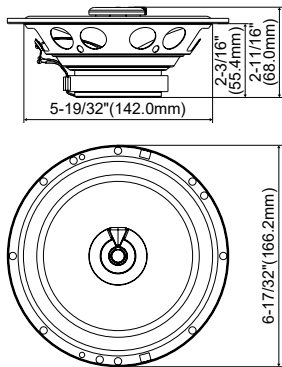
Parameter Thiele-Small

- BL (Tm): 3.097
- DCR (Ohm): 3.25
- Mms (g): 11.25
- Sd (cm²): 132.73
- Cms (um/N): 382
- Vas (L): 9.515
- Fs (Hz): 76.8
- Qes: 1.841
- Qms: 8.749
- Qts: 1.521
- Titik Crossover: 5200Hz

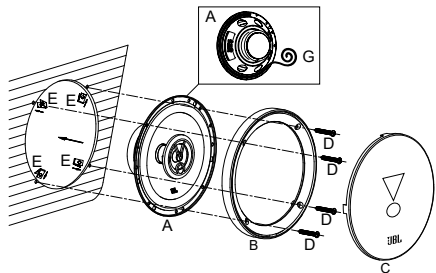
*50W RMS: Daya maksimum jangka panjang merujuk pada IEC 60268
25W RMS: Pengujian terus-menerus selama 100 jam pada daya terukur merujuk pada IEC 60268

Stage1 62

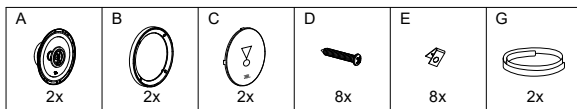
치수



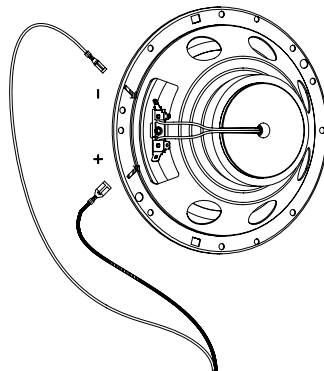
설치



구성품



연결



사양

- 스피커: 6-1/2인치(165mm) 동축 차량 스피커(그릴 포함)
- 파워 핸들링: *50W RMS, 최대 400W
- 민감도(@2.83V): 89dB
- 주파수 응답: 55Hz~20kHz
- 공칭 임피던스: 4ohms

틸스몰 파라미터

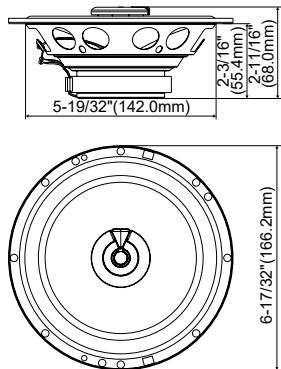
- BL (Tm): 3.097
- DCR (Ω): 3.25
- Mms (g): 11.25
- Sd (cm²): 132.73
- Cms (um/N): 382
- Vas (L): 9.515
- Fs (Hz): 76.8
- Qes: 1.841
- Qms: 8.749
- Qts: 1.521
- 크로스오버 포인트: 5200Hz

*50W RMS: 장기 최대 출력은 IEC 60268을 참조합니다

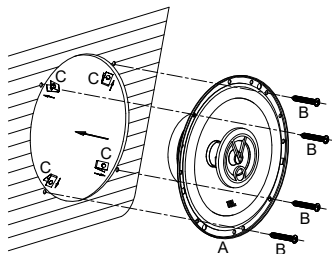
25W RMS: 정격 전력에서의 100H 연속 테스트는 IEC 60268을 참조합니다

Stage1 62F

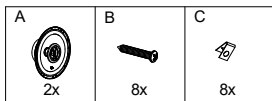
Dimension



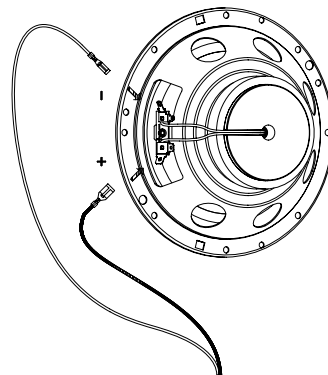
Installation



What's in the Box



Connection



Specifications

- Speaker: 6-1/2" (165mm) Coaxial Car Speaker without Grille
- Power Handling: *50W RMS, 400W peak
- Sensitivity (@2.83V): 89dB
- Frequency Response: 55Hz – 20kHz
- Nominal Impedance: 4ohm

Thiele-Small Parameters

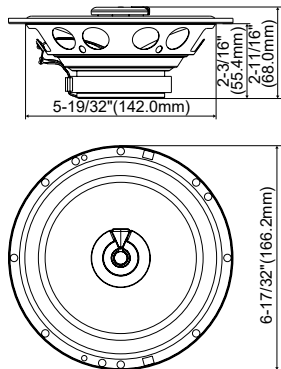
- BL (Tm): 3.097
- DCR (Ohms): 3.25
- Mms (g): 11.25
- Sd (cm²): 132.73
- Cms (um/N): 382
- Vas (L): 9.515
- Fs (Hz): 76.8
- Qes: 1.841
- Qms: 8.749
- Qts: 1.521
- Crossover Point: 5200Hz

*50W RMS: Long-term maximum power refer to IEC 60268

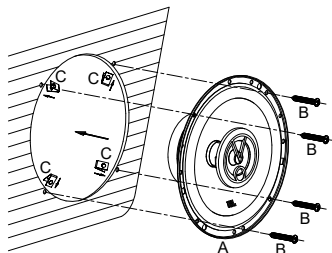
25W RMS: 100H continuous testing at rated power refers to IEC 60268

Stage1 62F

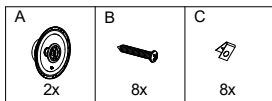
Dimensions



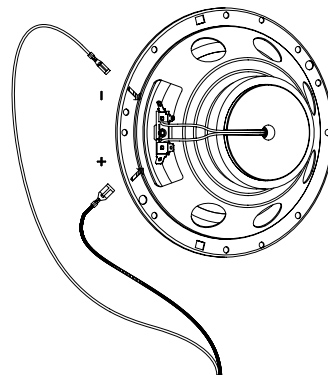
Installation



Contenu de la boîte



Connexion



Caractéristiques

- Haut-parleur : Haut-parleur de voiture coaxial de 6-1/2" (165 mm) sans grille
- Puissance admissible : *50 W RMS, 400 W crête
- Sensibilité (à 2,83 V) : 89 dB
- Réponse en fréquence : 55 Hz – 20 kHz
- Impédance nominale : 4 ohms

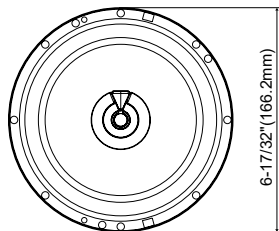
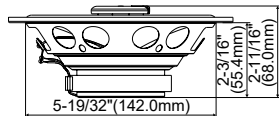
Paramètres de Thiele-Small

- BL (Tm) : 3.097
- DCR (Ohms) : 3.25
- Mms (g) : 11.25
- Sd (cm²) : 132.73
- Cms (um/N) : 382
- Vas (L) : 9.515
- Fs (Hz) : 76.8
- Qes : 1.841
- Qms : 8.749
- Qts : 1.521
- Point de croisement : 5200Hz

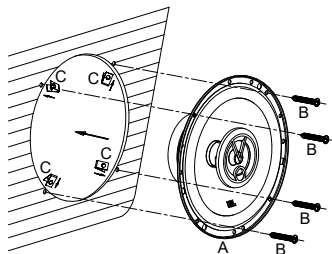
*50W RMS : La puissance maximale à long terme se réfère à IEC 60268
25W RMS : Le test continu 100H à puissance nominale se réfère à IEC 60268

Stage1 62F

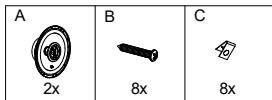
Mål



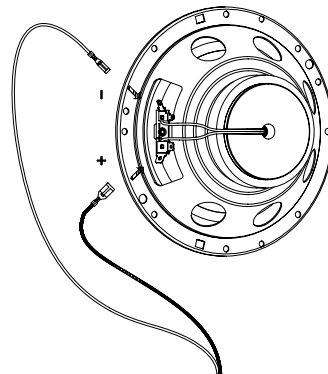
Installation



Hvad er der i æsken



Forbindelse



Specifikationer

- Højttaler: 6-1/2" (165 mm) Koaksial bilhøytaler uten gitter
- Effekthåndtering: *50 W RMS, 400 W spidsbelastning
- Følsomhed (ved 2,83V): 89 dB
- Frekvensområde: 55 Hz – 20 kHz
- Nominel impedans: 4 ohm

Thiele-Small-parametre

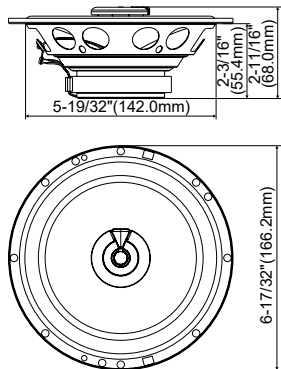
- BL (Tm): 3.097
- DCR (ohm): 3.25
- Mms (g): 11.25
- Sd (cm²): 132.73
- Cms (um/N): 382
- Vas (L): 9.515
- Fs (Hz): 76.8
- Qes: 1.841
- Qms: 8.749
- Qts: 1.521
- Overgangspunkt: 5200Hz

*50W RMS: Maksimal effekt på lang sigt i henhold til IEC 60268

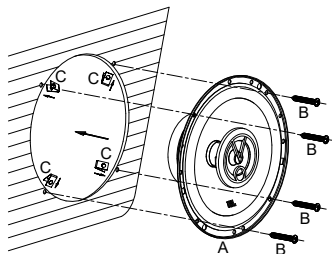
25W RMS: 100 timers kontinuerlig test ved nominal effekt refererer til IEC 60268

Stage1 62F

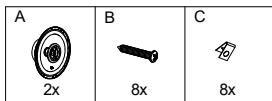
Abmessungen



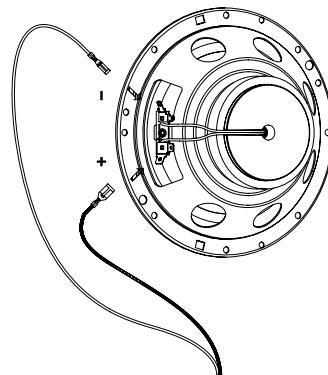
Installation



Verpackungsinhalt



Verbindung



Technische Daten

- Lautsprecher: 6-1/2 Zoll (165 mm)
Koaxial-Autolautsprecher ohne Grill
- Belastbarkeit: *50W (eff), 400W (Spitze)
- Empfindlichkeit (bei 2,83 V): 89 dB
- Frequenzgang: 55 Hz – 20 kHz
- Nennimpedanz: 4 Ohm

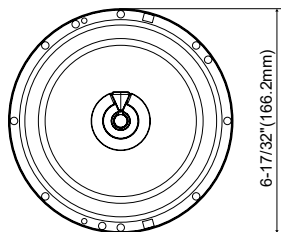
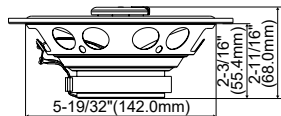
Thiele-Small-Parameter

- BL (Tm): 3.097
- DCR (Ohm): 3.25
- Mms (g): 11.25
- Sd (cm²): 132.73
- Cms (µm/N): 382
- Vas (L): 9.515
- Fs (Hz): 76.8
- Qes: 1.841
- Qms: 8.749
- Qts: 1.521
- Crossover-Punkt: 5200Hz

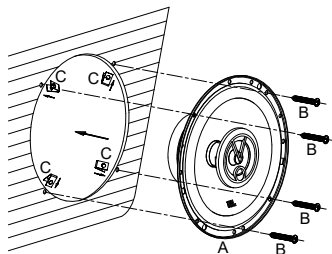
*50W RMS: Langfristig maximale Leistung gemäß IEC 60268
25W RMS: 100 Stunden Dauertest bei Nennleistung gemäß IEC 60268

Stage1 62F

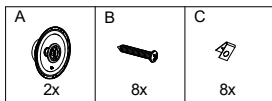
Dimensiones



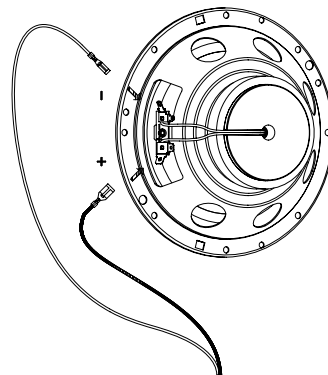
Instalación



Contenido de la caja



Conexión



Especificaciones

- Altavoz: Altavoces coaxiales de 6-1/2" (165 mm) sin rejilla para coche
- Capacidad de potencia: *50 W RMS, 400 W pico
- Sensibilidad (2,83 V): 89 dB
- Respuesta en frecuencia: 55 Hz - 20 kHz
- Impedancia nominal: 4 ohmios

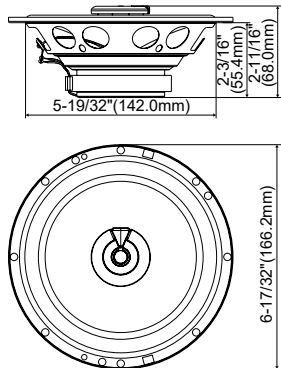
Parámetros Thiele-Small

- BL (Tm): 3.097
- DCR (Ohms): 3.25
- Mms (g): 11.25
- Sd (cm²): 132.73
- Cms (um/N): 382
- Vas (L): 9.515
- Fs (Hz): 76.8
- Qes: 1.841
- Qms: 8.749
- Qts: 1.521
- Punto de corte de frecuencia: 5200Hz

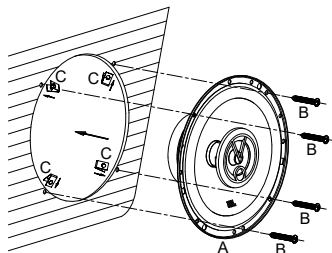
*50W RMS: Potencia máxima a largo plazo según la normativa IEC 60268
25W RMS: Prueba continua de 100 horas a potencia nominal según la normativa IEC 60268

Stage1 62F

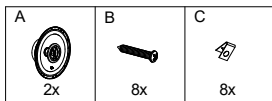
Mitat



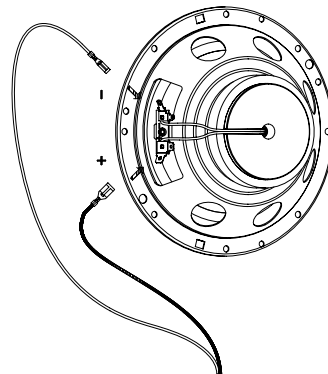
Asennus



Pakkauksen sisältö



Liitäntä



Tekniset tiedot

- Kaiutin: 6-1/2" (165 mm) ritilätön koaksiaalinen autokaiutin
- Tehonkesto: *50W RMS, 400W huippu
- Herkkyys (@2,83 V): 89dB
- Taajuusvaste: 55Hz – 20 kHz
- Nimellisimpedanssi: 4 ohmia

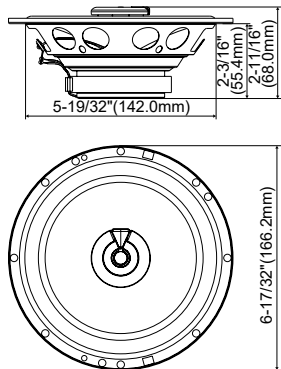
Thiele-Small-parametrit

- BL (Tm): 3.097
- DCR (Ohmia): 3.25
- Mms (g): 11.25
- Sd (cm²): 132.73
- Cms (um/N): 382
- Vas (L): 9.515
- Fs (Hz): 76.8
- Qes: 1.841
- Qms: 8.749
- Qts: 1.521
- Crossover-kohta: 5200Hz

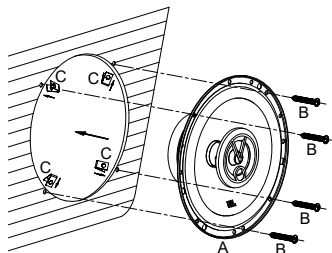
*50W RMS: Pitkäaikainen enimmäisteho on IEC 60268:n mukainen
25W RMS: 100h jatkuva testaus nimellisteholla viittaa standardiin IEC 60268

Stage1 62F

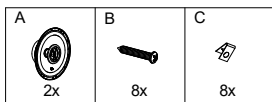
Dimensioni



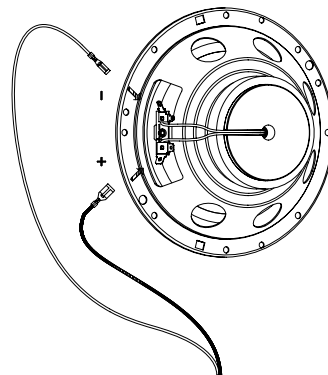
Installazione



Contenuto della confezione



Collegamento



Specifiche

- Altoparlante: Altoparlante coassiale per auto da 6-1/2" (165 mm), senza griglia
- Capacità di gestione della potenza: *50 W RMS, 400 W picco
- Sensibilità (a 2,83V): 89 dB
- Risposta in frequenza: 55Hz - 20kHz
- Impedenza nominale: 4 ohm

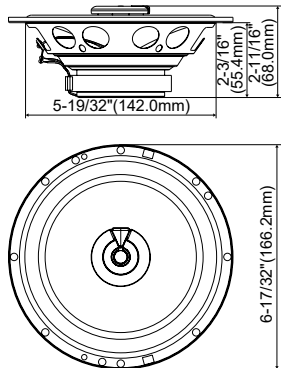
Thiele-Small Parameters

- BL (Tm): 3.097
- DCR (Ohm): 3.25
- Mms (g): 11.25
- Sd (cm²): 132.73
- Cms (um/N): 382
- Vas (L): 9.515
- Fs (Hz): 76.8
- Qes: 1.841
- Qms: 8.749
- Qts: 1.521
- Punto di crossover: 5200Hz

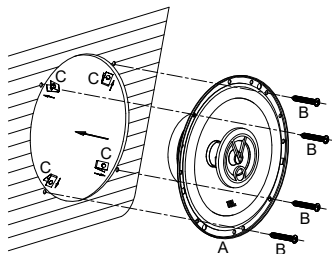
*50W RMS: La potenza massima a lungo termine fa riferimento alla norma IEC 60268
25W RMS: Il test continuo di 100 ore alla potenza nominale fa riferimento alla norma IEC 60268

Stage1 62F

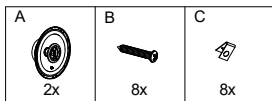
Afmetingen



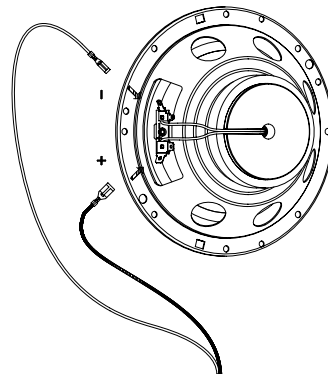
Installatie



Verpakkingsinhoud



Verbinding



Specificaties

- Luidspreker: 165 mm (6-1/2 inch) coaxiale autoluidspreker zonder rooster
- Vermogen: *50 W RMS, 400 W piek
- Gevoeligheid (2,83 V): 89 dB
- Frequentierespons: 55 Hz – 20 kHz
- Nominale impedantie: 4 ohm

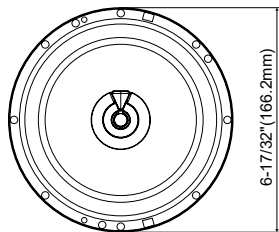
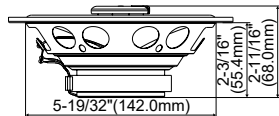
Thiele-kleine parameters

- BL (Tm): 3.097
- DCR (Ohms): 3.25
- Mms (g): 11.25
- Sd (cm²): 132.73
- Cms (um/N): 382
- Vas (L): 9.515
- Fs (Hz): 76.8
- Qes: 1.841
- Qms: 8.749
- Qts: 1.521
- Crossover Point: 5200Hz

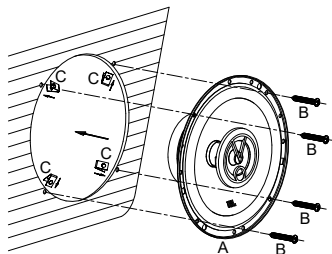
*50W RMS: Maximaal vermogen op lange termijn zie IEC 60268
25W RMS: 100H continu testen bij nominaal vermogen verwijst naar IEC 60268

Stage1 62F

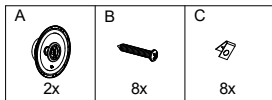
Mål



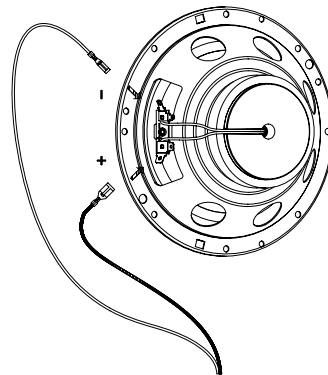
Installering



Eskens innhold



Tilkobling



Spesifikasjoner

- Høyttaler: 6-1/2" (165 mm) Koaksial bilhøyttaler uten gitter
- Effekthåndtering: *50 W RMS, 400 W topp
- Følsomhet (@2,83 V): 89 dB
- Frekvensrespons: 55 Hz – 20 kHz
- Nominell impedans: 4ohms

Thiele-Small-parametre

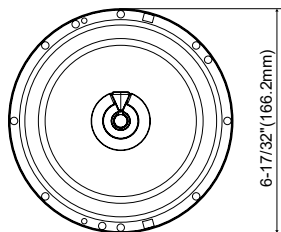
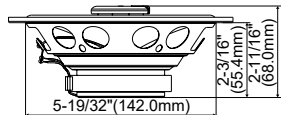
- BL (Tm): 3.097
- DCR (Ohms): 3.25
- Mms (g): 11.25
- Sd (cm²): 132.73
- Cms (um/N): 382
- Vas (L): 9.515
- Fs (Hz): 76.8
- Qes: 1.841
- Qms: 8.749
- Qts: 1.521
- Krysspunkt: 5200Hz

*50W RMS: Maksimal effekt over lang tid henviser til IEC 60268

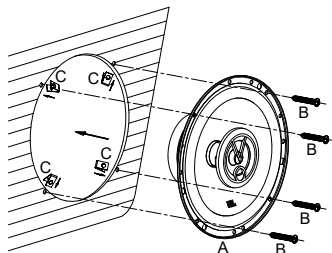
25W RMS: 100 H kontinuerlig testing ved nominell effekt henviser til IEC 60268

Stage1 62F

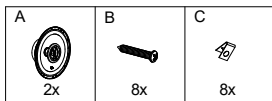
Mått



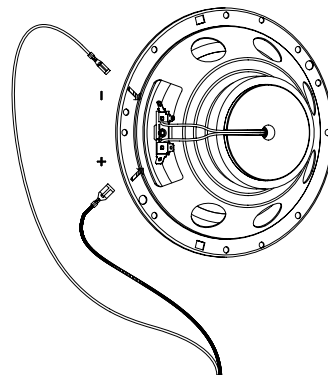
Installation



Vad finns i lådan



Anslutning



Specifikationer

- Högtalare: 6 1/2-tums (165 mm) koaxial bilhögtalare utan galler
- Effekthantering: *50 W RMS, 400 W max
- Känslighet (2,83 V): 89 dB
- Frekvensåtergivning: 55 Hz–20 kHz
- Nominell impedans: 4 ohm

Thiele-små parametrar

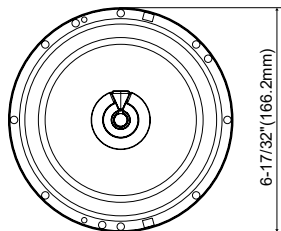
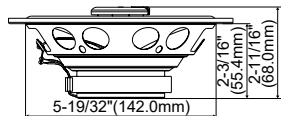
- Bl (Tm): 3.097
- DCR (ohm): 3.25
- Mms (g): 11.25
- Sd (cm²): 132.73
- Cms (um/N): 382
- Vas (L): 9.515
- Fs (Hz): 76.8
- Qes: 1.841
- Qms: 8.749
- Qts: 1.521
- Delningsfrekvens: 5200Hz

*50W RMS: Långsiktig maximal effekt enligt IEC 60268

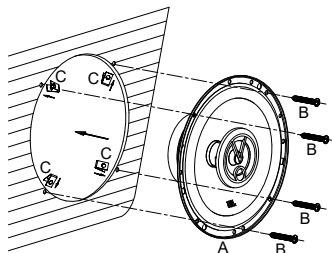
25W RMS: 100H kontinuerlig testning vid nominell effekt refererar till IEC 60268

Stage1 62F



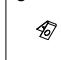
尺寸



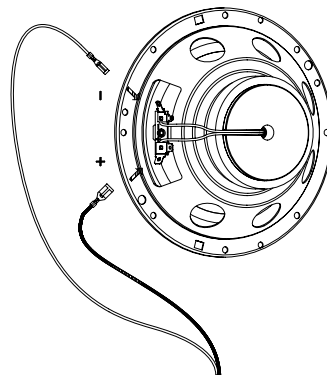
安装



产品清单

A	B	C
		
2x	8x	8x

连接



参数规格

- 扬声器：6.5" (165mm) 同轴车载扬声器（无网罩）
- 功率处理能力：*50W RMS（峰值为400W）
- 灵敏度 (@2.83V)：89dB
- 频率响应：55Hz – 20kHz
- 标称阻抗：4Ω

Thiele-Small 参数

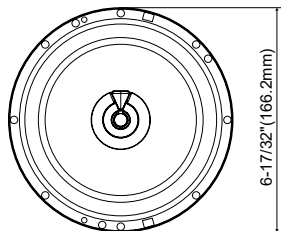
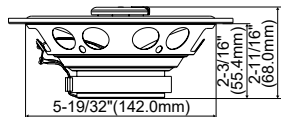
- BL (Tm): 3.097
- DCR (Ohms): 3.25
- Mms (g): 11.25
- Sd (cm²): 132.73
- Cms (um/N): 382
- Vas (L): 9.515
- Fs (Hz): 76.8
- Qes: 1.841
- Qms: 8.749
- Qts: 1.521
- 分频点：5200Hz

*50W RMS: 参照 IEC 60268 标准的长期最大功率

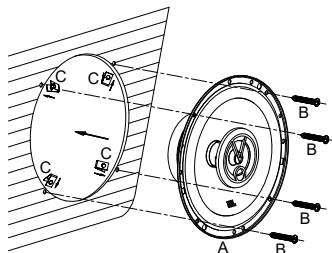
25W RMS: 参照 IEC 60268 标准，在额定功率下连续测试 100 小时

Stage1 62F

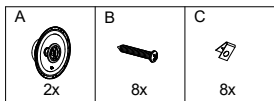
尺寸



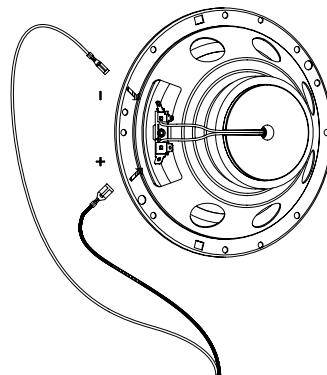
安裝



包裝盒內物品



連接



規格

- 喇叭：6-1/2" (165mm) 同軸車載喇叭，無網罩
- 功率處理：*50W RMS，400W 峰值
- 靈敏度 (@2.83V)：89dB
- 頻率回應：55 Hz – 20 kHz
- 標稱阻抗：4ohms

Thiele-Small 參數

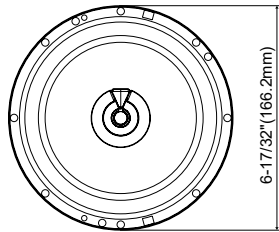
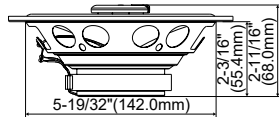
- BL (Tm): 3.097
- DCR (歐姆)：3.25
- Mms (g): 11.25
- Sd (cm²): 132.73
- Cms (um/N): 382
- Vas (L): 9.515
- Fs (Hz): 76.8
- Qes: 1.841
- Qms: 8.749
- Qts: 1.521
- 分頻點：5200Hz

*50W RMS: 長期最大功率，請參考 IEC 60268

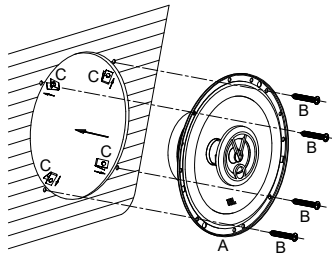
25W RMS: 於額定功率下進行 100H 持續測試，請參考 IEC 60268

Stage1 62F

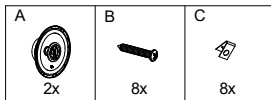
Dimensi



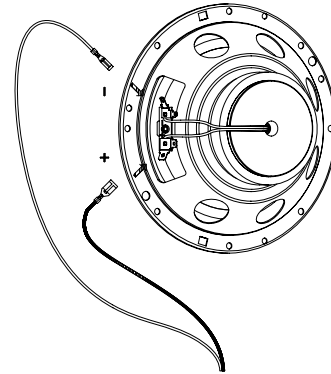
Instalasi



Isi kotak



Sambungan



Spesifikasi

- Speaker: Speaker Mobil Koaksial 6-1/2" (165mm) tanpa Gril
- Penanganan Daya: *50 W RMS, 400 W puncak
- Sensitivitas (@2,83V): 89 dB
- Respons Frekuensi: 55 Hz – 20 kHz
- Impedansi Nominal: 4 ohm

Parameter Thiele-Small

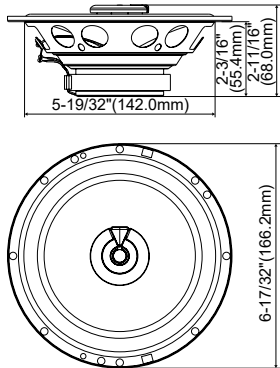
- BL (Tm): 3.097
- DCR (Ohm): 3.25
- Mms (g): 11.25
- Sd (cm²): 132.73
- Cms (um/N): 382
- Vas (L): 9.515
- Fs (Hz): 76.8
- Qes: 1.841
- Qms: 8.749
- Qts: 1.521
- Titik Crossover: 5200Hz

*50W RMS: Daya maksimum jangka panjang merujuk pada IEC 60268

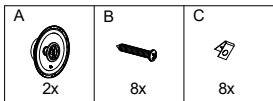
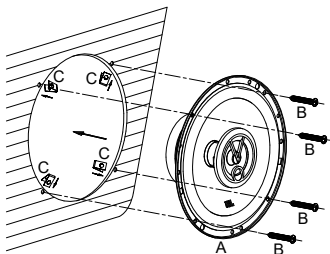
25W RMS: Pengujian terus-menerus selama 100 jam pada daya terukur merujuk pada IEC 60268

Stage1 62F

치수

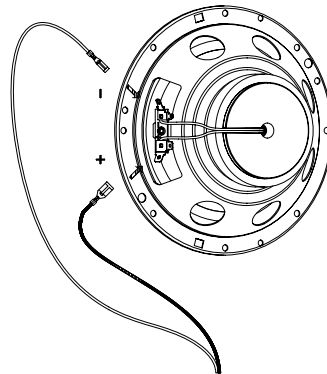


설치



구성품

연결



사양

- 스피커: 6-1/2인치(165mm) 동축 차량 스피커(그릴 미포함)
- 파워 핸들링: *50W RMS, 최대 400W
- 민감도(@2.83V): 89dB
- 주파수 응답: 55Hz~20kHz
- 공칭 임피던스: 4ohms

틸스몰 파라미터

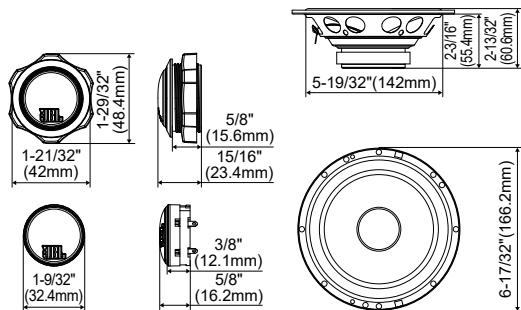
- BL (Tm): 3.097
- DCR (Ω): 3.25
- Mms (g): 11.25
- Sd (cm²): 132.73
- Cms (um/N): 382
- Vas (L): 9.515
- Fs (Hz): 76.8
- Qes: 1.841
- Qms: 8.749
- Qts: 1.521
- 크로스오버 포인트: 5200Hz

*50W RMS: 장기 최대 출력은 IEC 60268을 참조합니다

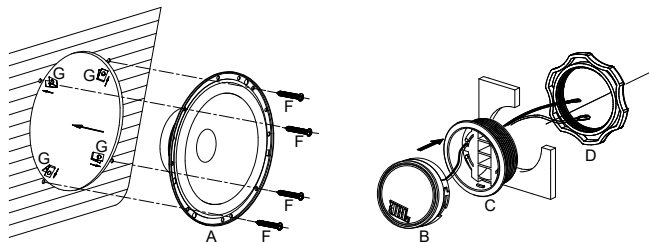
25W RMS: 정격 전력에서의 100H 연속 테스트는 IEC 60268을 참조합니다

Stage1 62CF

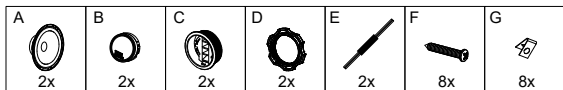
Dimension



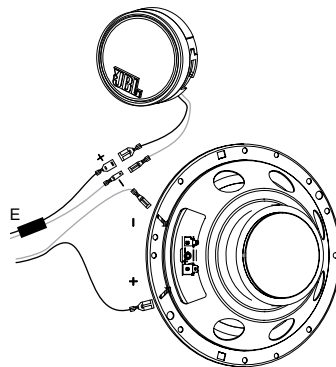
Installation



What's in the Box



Connection



Specifications

- Speaker: 6-1/2" (165mm) Two-Way Component Car Speaker without Grille
- Power Handling: *80W RMS, 640W peak
- Sensitivity (@2.83V): 90dB
- Frequency Response: 60Hz-20kHz
- Nominal Impedance: 4ohm

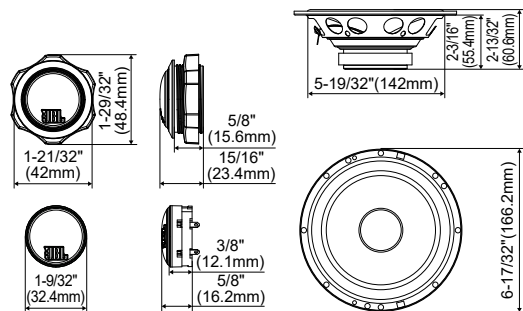
Thiele-Small Parameters

- BL (Tm): 3.426
- DCR (Ohms): 3.2
- Mms (g): 11.32
- Sd (cm²): 132.73
- Cms (um/N): 409
- Vas (L): 10.192
- Fs (Hz): 74
- Qes: 1.436
- Qms: 8.488
- Qts: 1.228
- Crossover Point: 6400Hz

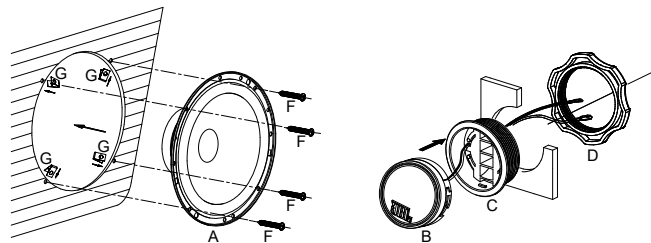
*80W RMS: Long-term maximum power refer to IEC 60268
40W RMS: 100H continuous testing at rated power refers to IEC 60268

Stage1 62CF

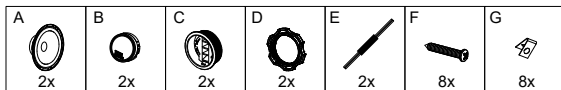
Dimensions



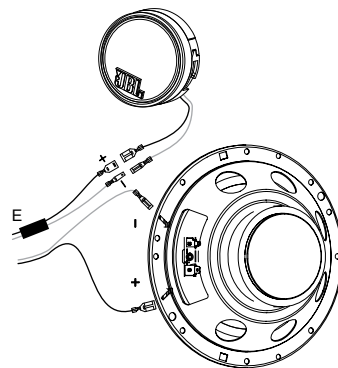
Installation



Contenu de la boîte



Connexion



Caractéristiques

- Haut-parleur : Haut-parleur de voiture à composante à deux voies de 6-1/2" (165 mm) sans grille
- Puissance admissible : *80 W RMS, 640 W crête
- Sensibilité (à 2,83 V) : 90 dB
- Réponse en fréquence : 60Hz – 20kHz
- Impédance nominale : 4 ohms

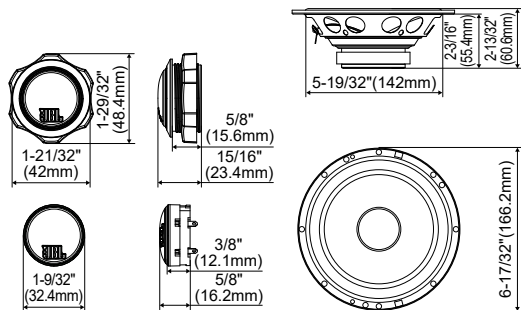
Paramètres de Thiele-Small

- BL (Tm) : 3.426
- DCR (Ohms) : 3.2
- Mms (g) : 11.32
- Sd (cm²) : 132.73
- Cms (um/N) : 409
- Vas (L) : 10.192
- Fs (Hz) : 74
- Qes : 1.436
- Qms : 8.488
- Qts : 1.228
- Point de croisement : 6400Hz

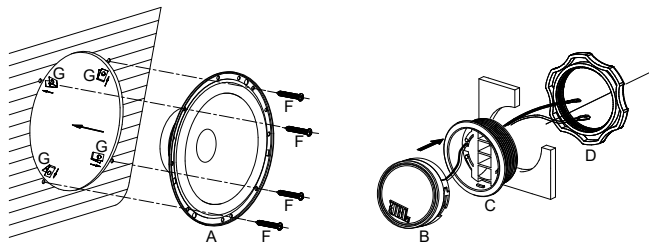
*80W RMS : La puissance maximale à long terme se réfère à IEC 60268
40W RMS : Le test continu 100H à puissance nominale se réfère à IEC 60268

Stage1 62CF

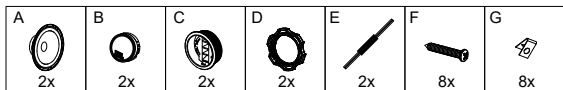
Mål



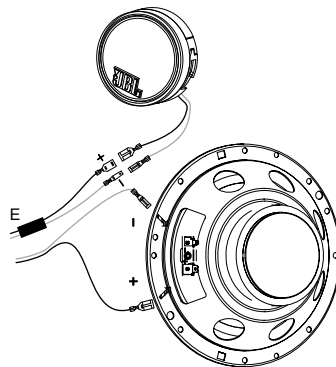
Installation



Hvad er der i æsken



Forbindelse



Specifikationer

- Højttaler: 6-1/2" (165 mm) tovejskomponent-bilhøjttaler uden gitter
- Effekthåndtering: *80 W RMS, 640 W spidsbelastning
- Følsomhed (ved 2,83V): 90 dB
- Frekvensområde: 60Hz – 20kHz
- Nominel impedans: 4 ohm

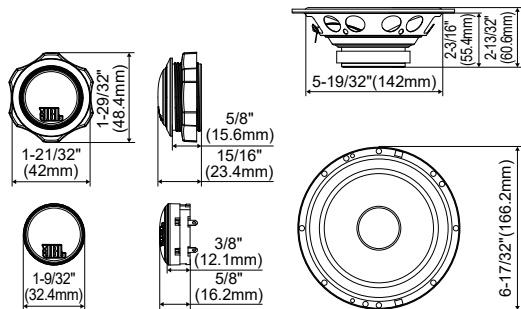
Thiele-Small-parametre

- BL (Tm): 3.426
- DCR (ohm): 3.2
- Mms (g): 11.32
- Sd (cm²): 132.73
- Cms (um/N): 409
- Vas (L): 10.192
- Fs (Hz): 74
- Qes: 1.436
- Qms: 8.488
- Qts: 1.228
- Overgangspunkt: 6400Hz

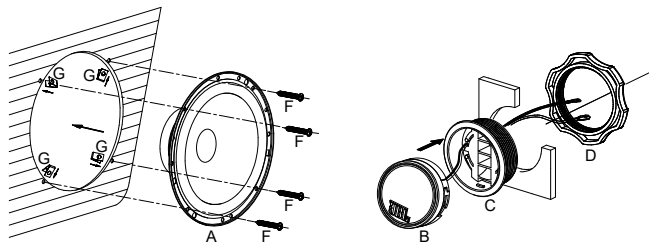
*80W RMS: Maksimal effekt på lang sigt i henhold til IEC 60268
40W RMS: 100 timers kontinuerlig test ved nominal effekt refererer til IEC 60268

Stage1 62CF

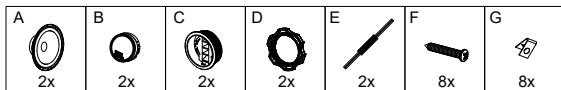
Abmessungen



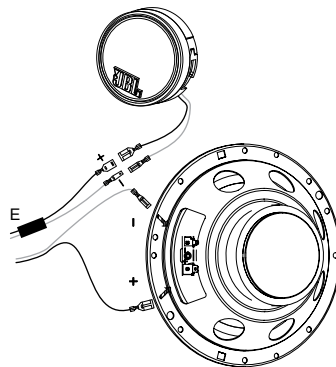
Installation



Verpackungsinhalt



Verbindung



Technische Daten

- Lautsprecher: 6-1/2 Zoll (165 mm) Zweiwegekomponenten-Autolautsprecher ohne Grill
- Belastbarkeit: *80W (eff), 640W (Spitze)
- Empfindlichkeit (bei 2,83 V): 90 dB
- Frequenzgang: 60Hz – 20kHz
- Nennimpedanz: 4 Ohm

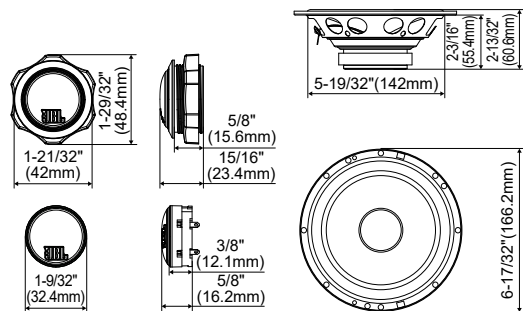
Thiele-Small-Parameter

- BL (Tm): 3.426
- DCR (Ohm): 3.2
- Mms (g): 11.32
- Sd (cm²): 132.73
- Cms (µm/N): 409
- Vas (L): 10.192
- Fs (Hz): 74
- Qes: 1.436
- Qms: 8.488
- Qts: 1.228
- Crossover-Punkt: 6400Hz

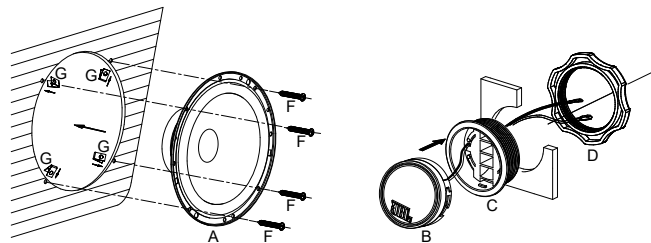
*80W RMS: Langfristig maximale Leistung gemäß IEC 60268
40W RMS: 100 Stunden Dauertest bei Nennleistung gemäß IEC 60268

Stage1 62CF

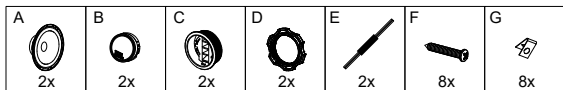
Dimensiones



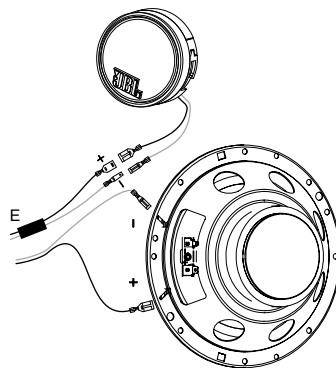
Instalación



Contenido de la caja



Conexión



Especificaciones

- Altavoz: Altavoces de dos vías de 6-1/2" (165 mm) sin rejilla para coche
- Capacidad de potencia: *80 W RMS, 640 W pico
- Sensibilidad (2,83 V): 90 dB
- Respuesta en frecuencia: 60Hz – 20kHz
- Impedancia nominal: 4 ohmios

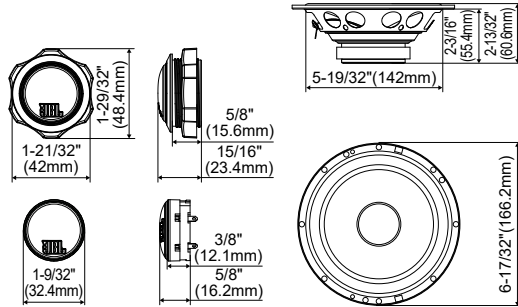
Parámetros Thiele-Small

- BL (Tm): 3.426
- DCR (Ohms): 3.2
- Mms (g): 11.32
- Sd (cm²): 132.73
- Cms (um/N): 409
- Vas (L): 10.192
- Fs (Hz): 74
- Qes: 1.436
- Qms: 8.488
- Qts: 1.228
- Punto de corte de frecuencia: 6400Hz

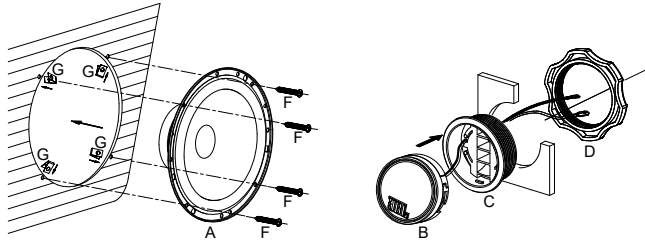
*80W RMS: Potencia máxima a largo plazo según la normativa IEC 60268
40W RMS: Prueba continua de 100 horas a potencia nominal según la normativa IEC 60268

Stage1 62CF

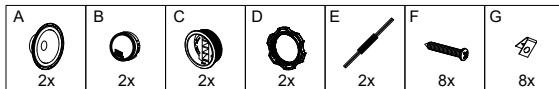
Mitat



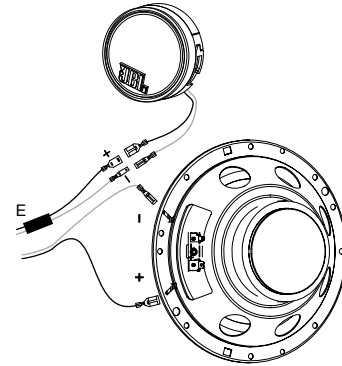
Asennus



Pakkauksen sisältö



Liitäntä



Tekniset tiedot

- Kaiutin: 6-1/2" (165 mm) ritilätön kaksitieautokaiutin
- Tehonkesto: *80W RMS, 640W huippu
- Herkkyys (@2,83 V): 90dB
- Taajuusvaste: 60Hz – 20kHz
- Nimellisimpedanssi: 4 ohmia

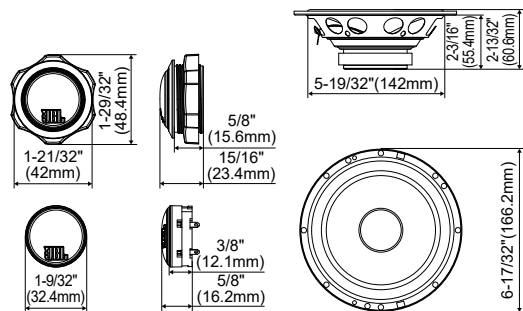
Thiele-Small-parametrit

- BL (Tm): 3.426
- DCR (Ohmia): 3.2
- Mms (g): 11.32
- Sd (cm²): 132.73
- Cms (um/N): 409
- Vas (L): 10.192
- Fs (Hz): 74
- Qes: 1.436
- Qms: 8.488
- Qts: 1.228
- Crossover-kohta: 6400Hz

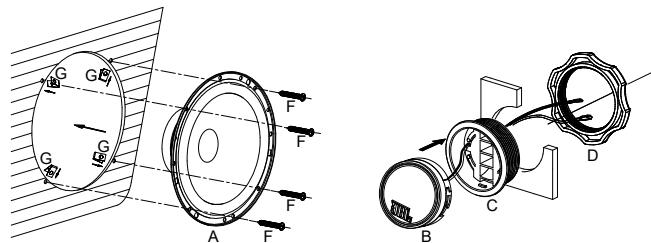
*80W RMS: Pitkäaikainen enimmäisteho on IEC 60268:n mukainen
40W RMS: 100h jatkuva testaus nimellisteholla viittaa standardiin IEC 60268

Stage1 62CF

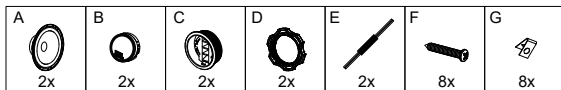
Dimensioni



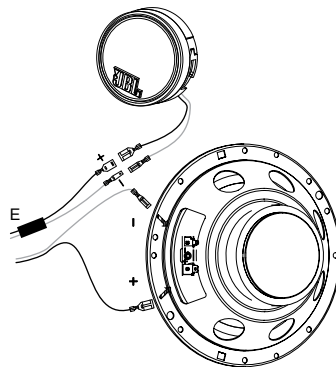
Installazione



Contenuto della confezione



Collegamento



Specifiche

- Altoparlante: Altoparlante per auto a due vie da 6-1/2" (165 mm), senza griglia
- Capacità di gestione della potenza: *80 W RMS, 640 W picco
- Sensibilità (a 2,83V): 90 dB
- Risposta in frequenza: 60Hz – 20kHz
- Impedenza nominale: 4 ohm

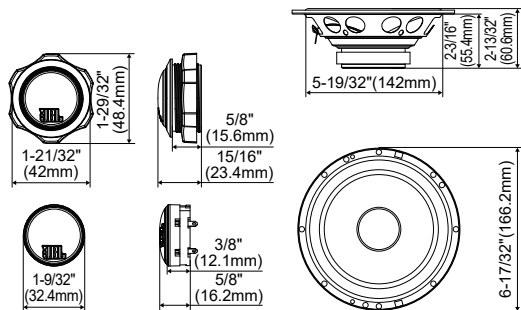
Thiele-Small Parameters

- BL (Tm): 3.426
- DCR (Ohm): 3.2
- Mms (g): 11.32
- Sd (cm²): 132.73
- Cms (um/N): 409
- Vas (L): 10.192
- Fs (Hz): 74
- Qes: 1.436
- Qms: 8.488
- Qts: 1.228
- Punto di crossover: 6400Hz

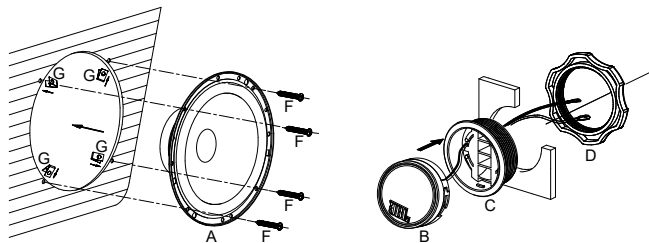
*80W RMS: La potenza massima a lungo termine fa riferimento alla norma IEC 60268
40W RMS: Il test continuo di 100 ore alla potenza nominale fa riferimento alla norma IEC 60268

Stage1 62CF

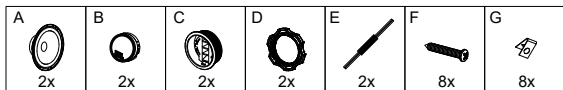
Afmetingen



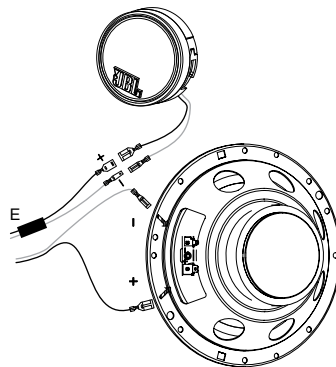
Installatie



Verpakkingsinhoud



Verbinding



Specificaties

- Luidspreker: 165 mm (6-1/2 inch) tweeweg component autoluidspreker zonder rooster
- Vermogen: *80 W RMS, 640 W piek
- Gevoeligheid (2,83 V): 90 dB
- Frequentierespons: 60Hz – 20kHz
- Nominale impedantie: 4 ohm

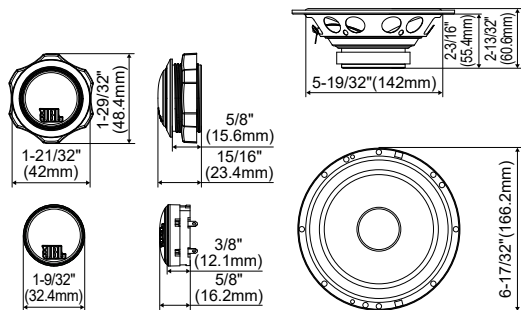
Thiele-kleine parameters

- BL (Tm): 3.426
- DCR (Ohms): 3.2
- Mms (g): 11.32
- Sd (cm²): 132.73
- Cms (um/N): 409
- Vas (L): 10.192
- Fs (Hz): 74
- Qes: 1.436
- Qms: 8.488
- Qts: 1.228
- Crossover Point: 6400Hz

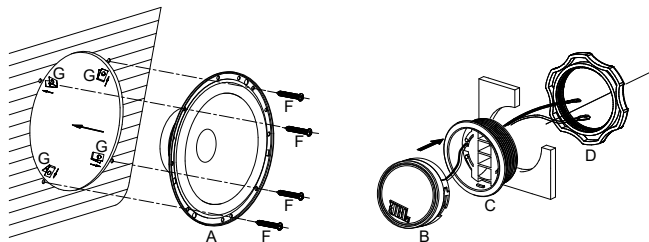
*80W RMS: Maximaal vermogen op lange termijn zie IEC 60268
40W RMS: 100H continu testen bij nominaal vermogen verwijst naar IEC 60268

Stage1 62CF

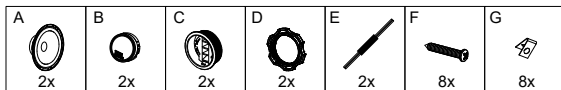
Mål



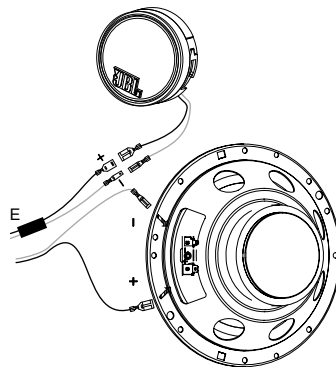
Installering



Eskens innhold



Tilkobling



Spesifikasjoner

- Høyttaler: 6-1/2" (165 mm) Toveis komponent bilhøyttaler uten gitter
- Effekthåndtering: *80 W RMS, 640 W topp
- Følsomhet (@2,83 V): 90 dB
- Frekvensrespons: 60Hz – 20kHz
- Nominell impedans: 4ohms

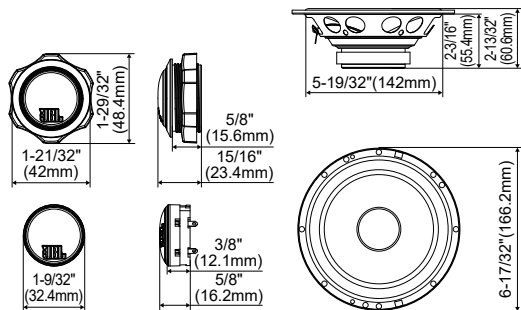
Thiele-Small-parametre

- BL (Tm): 3.426
- DCR (Ohms): 3.2
- Mms (g): 11.32
- Sd (cm²): 132.73
- Cms (um/N): 409
- Vas (L): 10.192
- Fs (Hz): 74
- Qes: 1.436
- Qms: 8.488
- Qts: 1.228
- Krysspunkt: 6400Hz

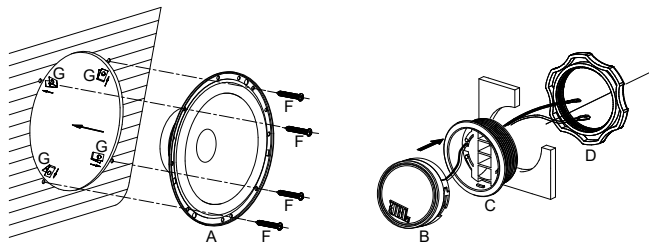
*80W RMS: Maksimal effekt over lang tid henviser til IEC 60268
40W RMS: 100 H kontinuerlig testing ved nominell effekt henviser til IEC 60268

Stage1 62CF

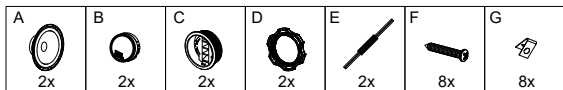
Mått



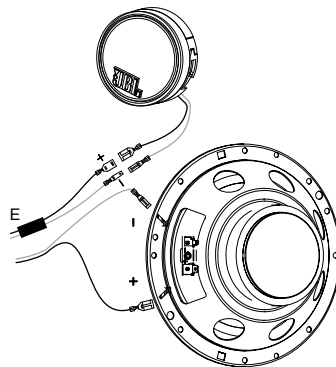
Installation



Vad finns i lådan



Anslutning



Specifikationer

- Högtalare: 6 1/2-tums (165 mm) tvåvägs komponentbilhögtalare utan galler
- Effekthantering: *80 W RMS, 640 W max
- Känslighet (2,83 V): 90 dB
- Frekvensåtergivning: 60Hz – 20kHz
- Nominell impedans: 4 ohm

Thiele-små parametrar

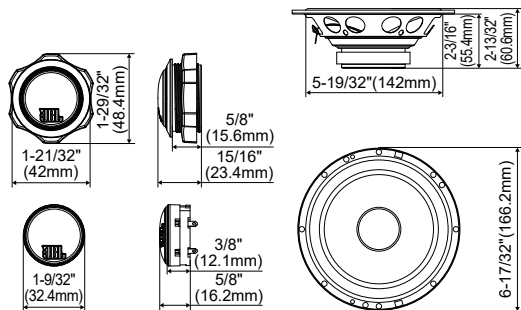
- BL (Tm): 3.426
- DCR (ohm): 3.2
- Mms (g): 11.32
- Sd (cm²): 132.73
- Cms (um/N): 409
- Vas (L): 10.192
- Fs (Hz): 74
- Qes: 1.436
- Qms: 8.488
- Qts: 1.228
- Delningsfrekvens: 6400Hz

*80W RMS: Långsiktig maximal effekt enligt IEC 60268

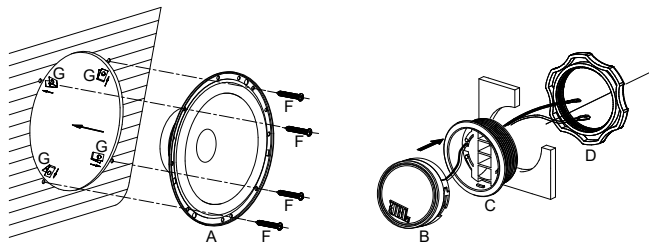
40W RMS: 100H kontinuerlig testning vid nominell effekt refererar till IEC 60268

Stage1 62CF

尺寸



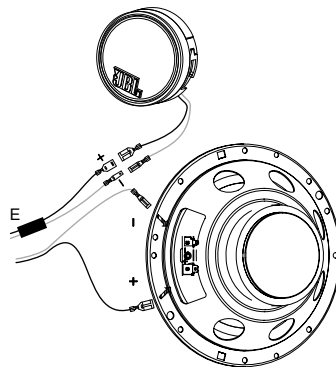
安装



产品清单

A	B	C	D	E	F	G
2x	2x	2x	2x	2x	8x	8x

连接



参数规格

- 扬声器：6.5" (165mm) 二分频分体式车载扬声器（无网罩）
- 功率处理能力：*80W RMS（峰值为640W）
- 灵敏度 (@2.83V)：90dB
- 频率响应：60Hz - 20kHz
- 标称阻抗：4Ω

Thiele-Small 参数

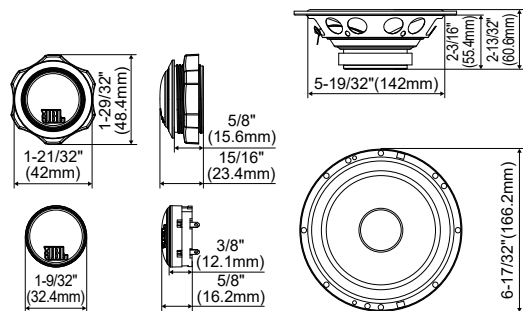
- BL (Tm): 3.426
- DCR (Ohms): 3.2
- Mms (g): 11.32
- Sd (cm²): 132.73
- Cms (um/N): 409
- Vas (L): 10.192
- Fs (Hz): 74
- Qes: 1.436
- Qms: 8.488
- Qts: 1.228
- 分频点：6400Hz

*80W RMS: 参照 IEC 60268 标准的长期最大功率

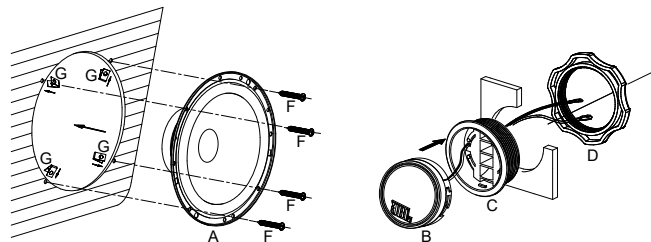
40W RMS: 参照 IEC 60268 标准, 在额定功率下连续测试 100 小时

Stage1 62CF

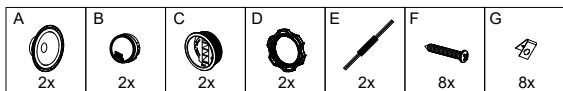
尺寸



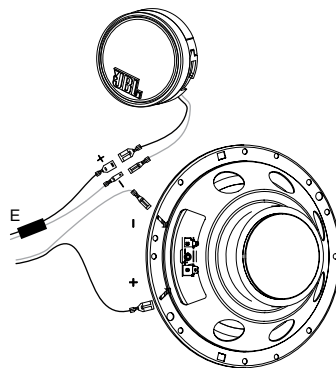
安裝



包裝盒內物品



連接



規格

- 喇叭：6-1/2" (165mm) 二音路分離式車載喇叭，無網罩
- 功率處理：*80W RMS，640W 峰值
- 靈敏度 (@2.83V)：90dB
- 頻率回應：60Hz - 20kHz
- 標稱阻抗：4ohms

Thiele-Small 參數

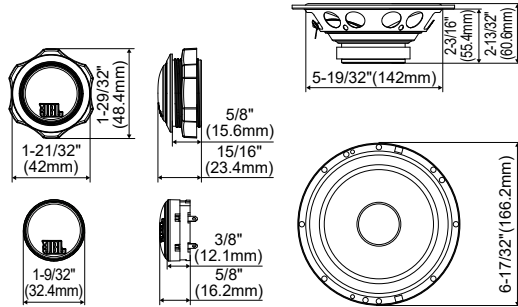
- BL (Tm): 3.426
- DCR (歐姆)：3.2
- Mms (g): 11.32
- Sd (cm²): 132.73
- Cms (um/N): 409
- Vas (L): 10.192
- Fs (Hz): 74
- Qes: 1.436
- Qms: 8.488
- Qts: 1.228
- 分頻點：6400Hz

*80W RMS: 長期最大功率，請參考 IEC 60268

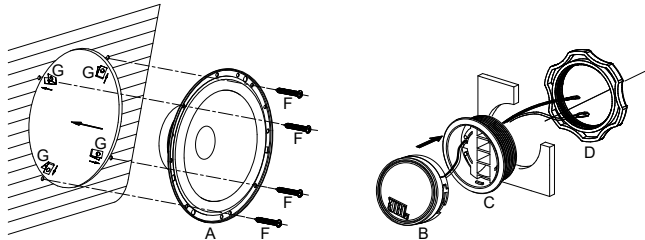
40W RMS: 於額定功率下進行 100H 持續測試，請參考 IEC 60268

Stage1 62CF

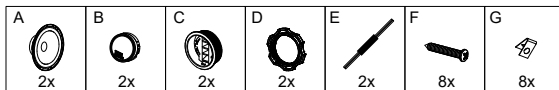
Dimensi



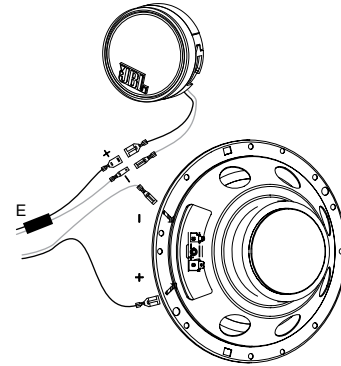
Instalasi



Isi kotak



Sambungan



Spesifikasi

- Speaker: Speaker Mobil Komponen Dua Arah 6-1/2" (165mm) tanpa Gril
- Penanganan Daya: *80 W RMS, 640 W puncak
- Sensitivitas (@2,83V): 90 dB
- Respons Frekuensi: 60Hz – 20kHz
- Impedansi Nominal: 4 ohm

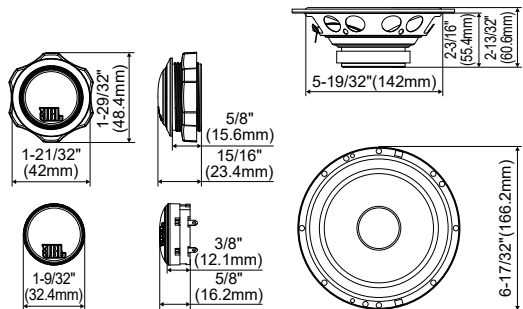
Parameter Thiele-Small

- BL (Tm): 3.426
- DCR (Ohm): 3.2
- Mms (g): 11.32
- Sd (cm²): 132.73
- Cms (um/N): 409
- Vas (L): 10.192
- Fs (Hz): 74
- Qes: 1.436
- Qms: 8.488
- Qts: 1.228
- Titik Crossover: 6400Hz

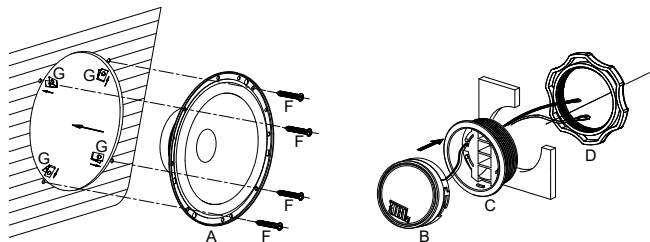
*80W RMS: Daya maksimum jangka panjang merujuk pada IEC 60268
 40W RMS: Pengujian terus-menerus selama 100 jam pada daya terukur merujuk pada IEC 60268

Stage1 62CF

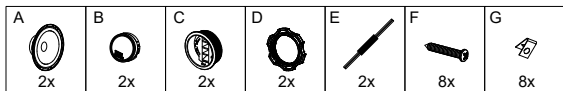
치수



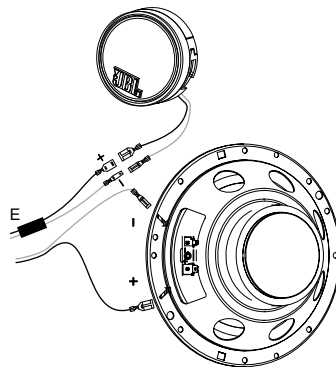
설치



구성품



연결



사양

- 스피커: 6-1/2인치(165mm) 2-way 컴포넌트 차량 스피커(그릴 미포함)
- 파워 핸들링: *80W RMS, 최대 640W
- 민감도(@2.83V): 90dB
- 주파수 응답: 60Hz - 20kHz
- 공칭 임피던스: 4ohms

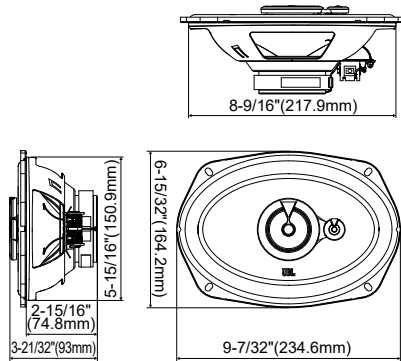
틸스몰 파라미터

- BL (Tm): 3.426
- DCR (Ω): 3.2
- Mms (g): 11.32
- Sd (cm²): 132.73
- Cms (um/N): 409
- Vas (L): 10.192
- Fs (Hz): 74
- Qes: 1.436
- Qms: 8.488
- Qts: 1.228
- 크로스오버 포인트: 6400Hz

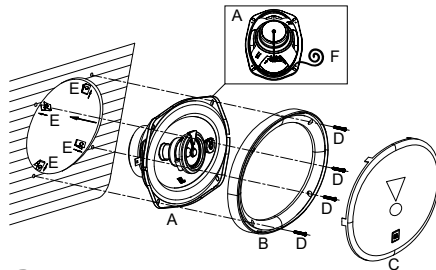
*80W RMS: 장기 최대 출력은 IEC 60268을 참조합니다
40W RMS: 정격 전력에서의 100H 연속 테스트는 IEC 60268을 참조합니다

Stage1 962M

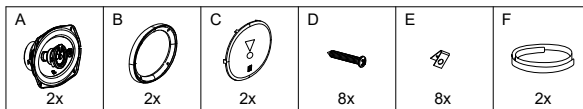
Dimension



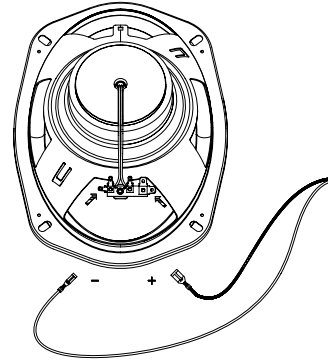
Installation



What's in the Box



Connection



Specifications

- Speaker: 6x9" (152x230mm) Three-Way Car Speaker with Grille
- Power Handling: *70W RMS, 560W peak
- Sensitivity (@2.83V): 91dB
- Frequency Response: 45Hz-20kHz
- Nominal Impedance: 4ohm

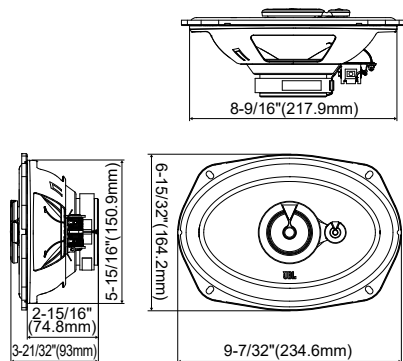
Thiele-Small Parameters

- BL (Tm): 4.048
- DCR (Ohms): 3.29
- Mms (g): 20.912
- Sd (cm²): 239
- Cms (um/N): 345
- Vas (L): 27.91
- Fs (Hz): 59.2
- Qes: 1.562
- Qms: 12.018
- Qts: 1.382
- Crossover Point: 4300Hz

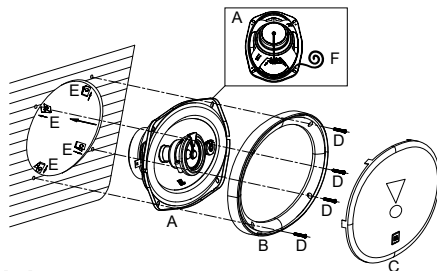
*70W RMS: Long-term maximum power refer to IEC 60268
35W RMS: 100H continuous testing at rated power refers to IEC 60268

Stage1 962M

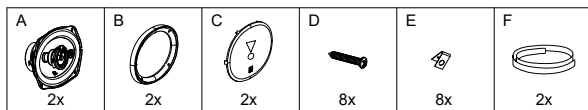
Dimensions



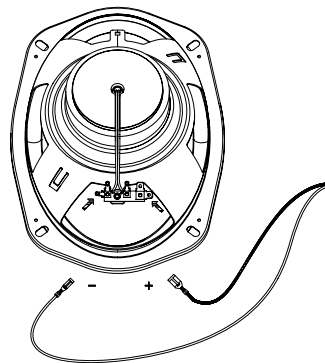
Installation



Contenu de la boîte



Connexion



Caractéristiques

- Haut-parleur : Haut-parleur de voiture à trois voies de 6x9" (152x230 mm) avec grille
- Puissance admissible : *70 W RMS, 560 W crête
- Sensibilité (à 2,83 V) : 91 dB
- Réponse en fréquence : 45Hz – 20kHz
- Impédance nominale : 4 ohms

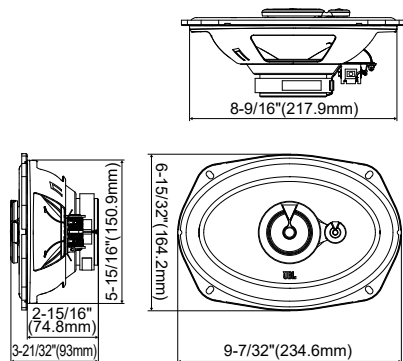
Paramètres de Thiele-Small

- BL (Tm) : 4.048
- DCR (Ohms) : 3.29
- Mms (g) : 20.912
- Sd (cm²) : 239
- Cms (um/N) : 345
- Vas (L) : 27.91
- Fs (Hz) : 59.2
- Qes : 1.562
- Qms : 12.018
- Qts : 1.382
- Point de croisement : 4300Hz

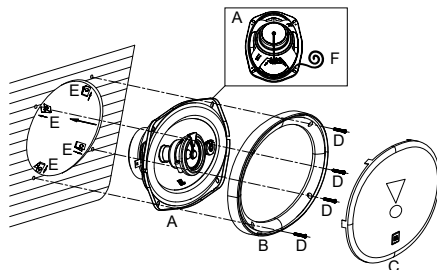
*70W RMS : La puissance maximale à long terme se réfère à IEC 60268
35W RMS : Le test continu 100H à puissance nominale se réfère à IEC 60268

Stage1 962M

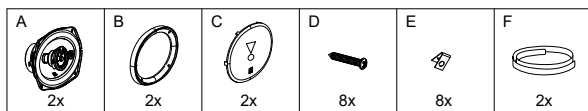
Mål



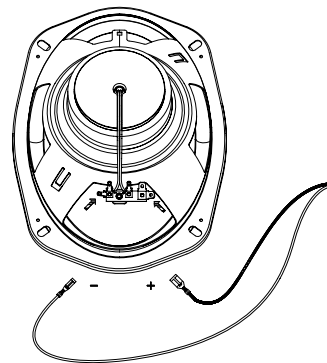
Installation



Hvad er der i æsken



Forbindelse



Specifikationer

- Højttaler: 6x9" (152x230 mm) trevejs-bilhøjttaler med gitter
- Effekthåndtering: *70W RMS, 560W spidsbelastning
- Følsomhed (ved 2,83V): 91 dB
- Frekvensområde: 45Hz – 20kHz
- Nominel impedans: 4 ohm

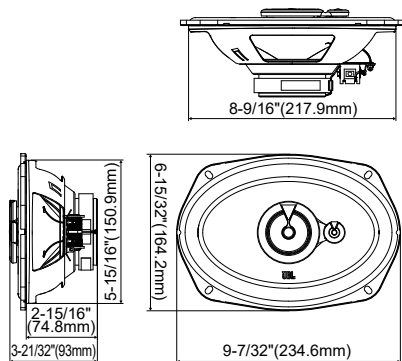
Thiele-Small-parametre

- BL (Tm): 4.048
- DCR (ohm): 3.29
- Mms (g): 20.912
- Sd (cm²): 239
- Cms (um/N): 345
- Vas (L): 27.91
- Fs (Hz): 59.2
- Qes: 1.562
- Qms: 12.018
- Qts: 1.382
- Overgangspunkt: 4300Hz

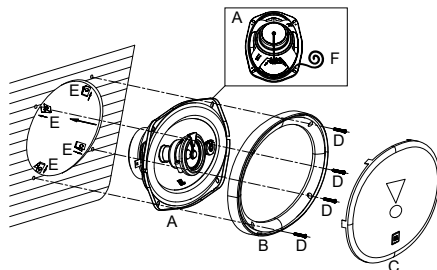
*70W RMS: Maksimal effekt på lang sigt i henhold til IEC 60268
35W RMS: 100 timers kontinuerlig test ved nominel effekt refererer til IEC 60268

Stage1 962M

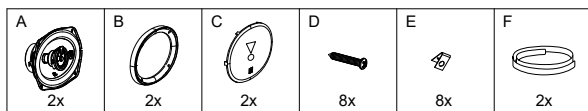
Abmessungen



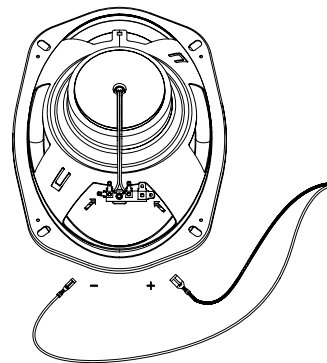
Installation



Verpackungsinhalt



Verbindung



Technische Daten

- Lautsprecher: 6 x 9 Zoll (152 x 230 mm)
Dreibege-Autolautsprecher mit Grill
- Belastbarkeit: *70W (eff), 560W (Spitze)
- Empfindlichkeit (bei 2,83 V): 91 dB
- Frequenzgang: 45Hz – 20kHz
- Nennimpedanz: 4 Ohm

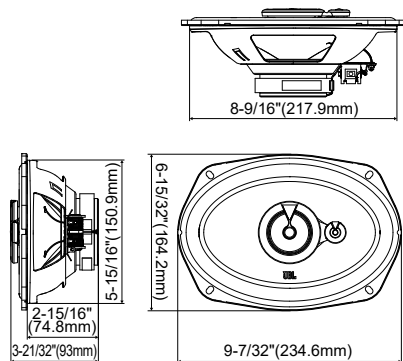
Thiele-Small-Parameter

- BL (Tm): 4.048
- DCR (Ohm): 3.29
- Mms (g): 20.912
- Sd (cm²): 239
- Cms (µm/N): 345
- Vas (L): 27.91
- Fs (Hz): 59.2
- Qes: 1.562
- Qms: 12.018
- Qts: 1.382
- Crossover-Punkt: 4300Hz

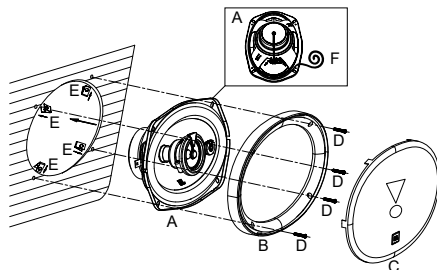
*70W RMS: Langfristig maximale Leistung gemäß IEC 60268
35W RMS: 100 Stunden Dauertest bei Nennleistung gemäß IEC 60268

Stage1 962M

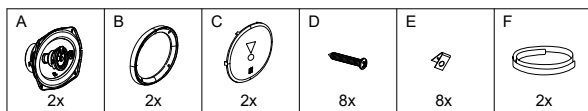
Dimensiones



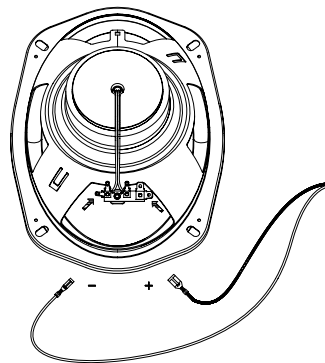
Instalación



Contenido de la caja



Conexión



Especificaciones

- Altavoz: Altavoces de tres vías de 6 x 9" (152 x 230 mm) con rejilla para coche
- Capacidad de potencia: *70 W RMS, 560 W pico
- Sensibilidad (2,83 V): 91 dB
- Respuesta en frecuencia: 45Hz – 20kHz
- Impedancia nominal: 4 ohmios

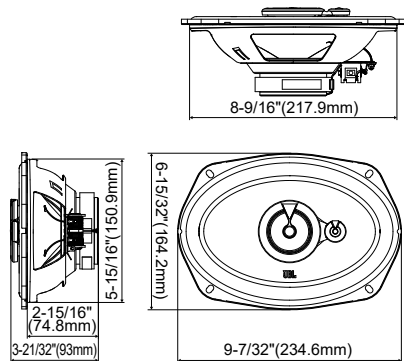
Parámetros Thiele-Small

- BL (Tm): 4.048
- DCR (Ohms): 3.29
- Mms (g): 20.912
- Sd (cm²): 239
- Cms (um/N): 345
- Vas (L): 27.91
- Fs (Hz): 59.2
- Qes: 1.562
- Qms: 12.018
- Qts: 1.382
- Punto de corte de frecuencia: 4300Hz

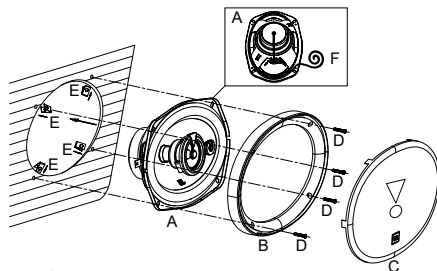
*70W RMS: Potencia máxima a largo plazo según la normativa IEC 60268
35W RMS: Prueba continua de 100 horas a potencia nominal según la normativa IEC 60268

Stage1 962M

Mitat



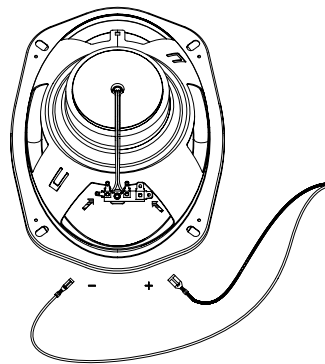
Asennus



Pakkauksen sisältö

2x	2x	2x	8x	8x	2x

Liitäntä



Tekniset tiedot

- Kaiutin: 6x9" (152x230 mm) kolmetieautokaiutin ritilällä
- Tehonkesto: *70W RMS, 560W huippu
- Herkkyys (@2,83 V): 91dB
- Taajuusvaste: 45Hz – 20kHz
- Nimellisimpedanssi: 4 ohmia

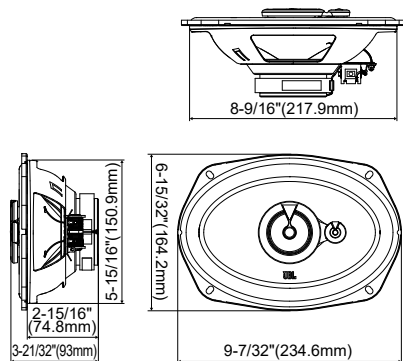
Thiele-Small-parametrit

- BL (Tm): 4.048
- DCR (Ohmia): 3.29
- Mms (g): 20.912
- Sd (cm²): 239
- Cms (um/N): 345
- Vas (L): 27.91
- Fs (Hz): 59.2
- Qes: 1.562
- Qms: 12.018
- Qts: 1.382
- Crossover-kohta: 4300Hz

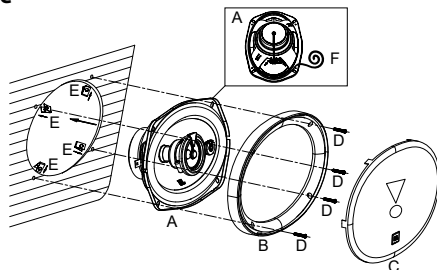
*70W RMS: Pitkäaikainen enimmäisteho on IEC 60268:n mukainen
35W RMS: 100h jatkuva testaus nimellisteholla viittaa standardiin IEC 60268

Stage1 962M

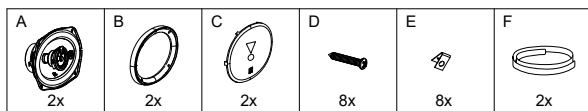
Dimensioni



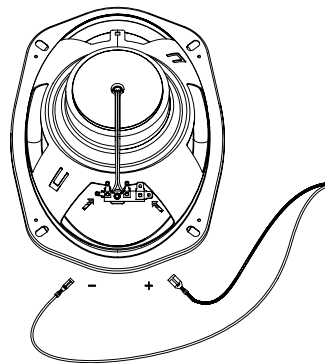
Installazione



Contenuto della confezione



Collegamento



Specifiche

- Altoparlante: Altoparlante a tre vie per auto da 6x9" (152x230 mm), con griglia
- Capacità di gestione della potenza: *70 W RMS, 560 W picco
- Sensibilità (a 2,83V): 91 dB
- Risposta in frequenza: 45Hz – 20kHz
- Impedenza nominale: 4 ohm

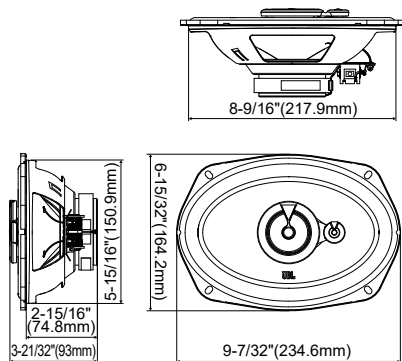
Thiele-Small Parameters

- BL (Tm): 4.048
- DCR (Ohm): 3.29
- Mms (g): 20.912
- Sd (cm²): 239
- Cms (um/N): 345
- Vas (L): 27.91
- Fs (Hz): 59.2
- Qes: 1.562
- Qms: 12.018
- Qts: 1.382
- Punto di crossover: 4300Hz

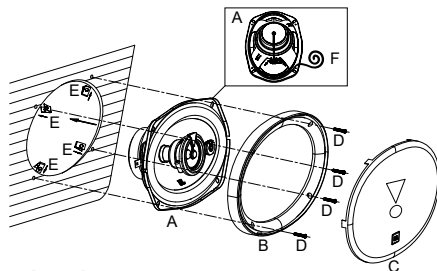
*70W RMS: La potenza massima a lungo termine fa riferimento alla norma IEC 60268
35W RMS: Il test continuo di 100 ore alla potenza nominale fa riferimento alla norma IEC 60268

Stage1 962M

Afmetingen



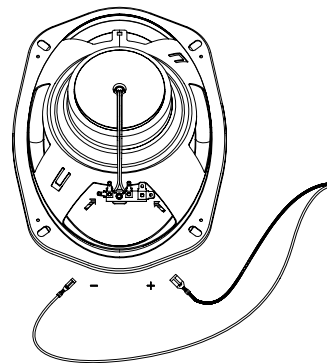
Installatie



Verpakkingsinhoud

2x	2x	2x	8x	8x	2x

Verbinding



Specificaties

- Luidspreker: 152x230 mm (6x9 inch) drieweg autoluidspreker met rooster
- Vermogen: *70 W RMS, 560 W piek
- Gevoeligheid (2,83 V): 91 dB
- Frequentierespons: 45Hz – 20kHz
- Nominale impedantie: 4 ohm

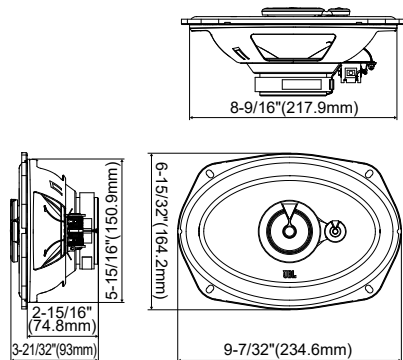
Thiele-kleine parameters

- BL (Tm): 4.048
- DCR (Ohms): 3.29
- Mms (g): 20.912
- Sd (cm²): 239
- Cms (um/N): 345
- Vas (L): 27.91
- Fs (Hz): 59.2
- Qes: 1.562
- Qms: 12.018
- Qts: 1.382
- Crossover Point: 4300Hz

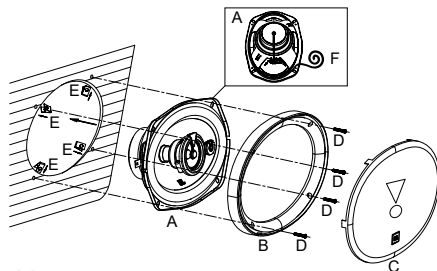
*70W RMS: Maximaal vermogen op lange termijn zie IEC 60268
35W RMS: 100H continu testen bij nominaal vermogen verwijst naar IEC 60268

Stage1 962M

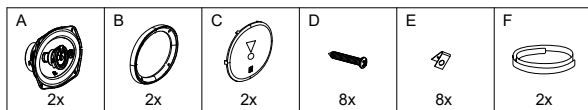
Mål



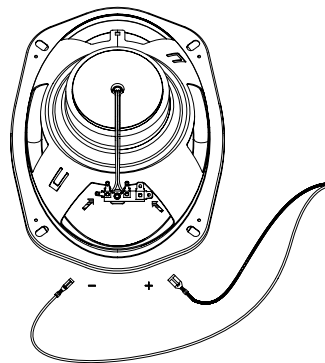
Installering



Eskens innhold



Tilkobling



Spesifikasjoner

- Høyttaler: 6x9" (152x230 mm) Treveis bilhøyttaler med gitter
- Effekthåndtering: *70 W RMS, 560 W topp
- Følsomhet (@2,83 V): 91 dB
- Frekvensrespons: 45Hz – 20kHz
- Nominell impedans: 4ohms

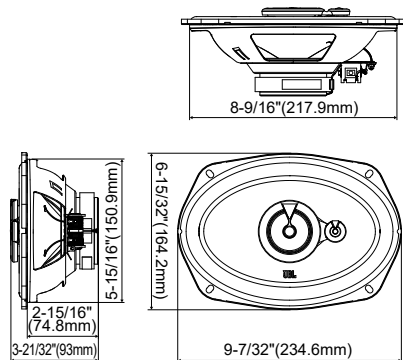
Thiele-Small-parametre

- BL (Tm): 4.048
- DCR (Ohms): 3.29
- Mms (g): 20.912
- Sd (cm²): 239
- Cms (um/N): 345
- Vas (L): 27.91
- Fs (Hz): 59.2
- Qes: 1.562
- Qms: 12.018
- Qts: 1.382
- Krysspunkt: 4300Hz

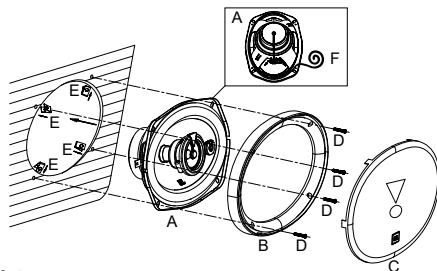
*70W RMS: Maksimal effekt over lang tid henviser til IEC 60268
35W RMS: 100 H kontinuerlig testing ved nominell effekt henviser til IEC 60268

Stage1 962M

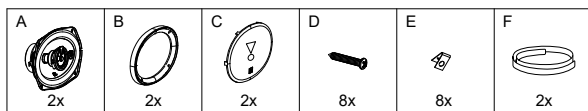
Mått



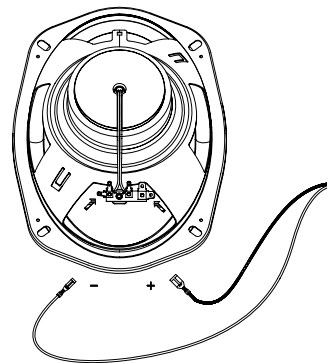
Installation



Vad finns i lådan



Anslutning



Specifikationer

- Högtalare: 6 x 9-tums (152 x 230 mm) trevägs bilhögtalare med galler
- Effekthantering: *70 W RMS, 560 W max
- Känslighet (2,83 V): 91 dB
- Frekvensåtergivning: 45Hz – 20kHz
- Nominell impedans: 4 ohm

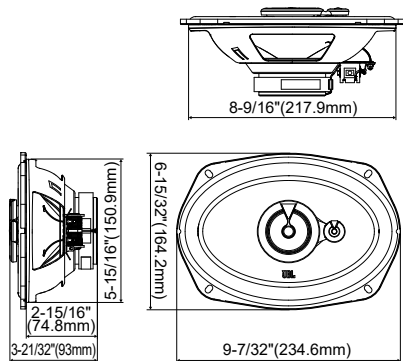
Thiele-små parametrar

- BL (Tm): 4.048
- DCR (ohm): 3.29
- Mms (g): 20.912
- Sd (cm²): 239
- Cms (um/N): 345
- Vas (L): 27.91
- Fs (Hz): 59.2
- Qes: 1.562
- Qms: 12.018
- Qts: 1.382
- Delningsfrekvens: 4300Hz

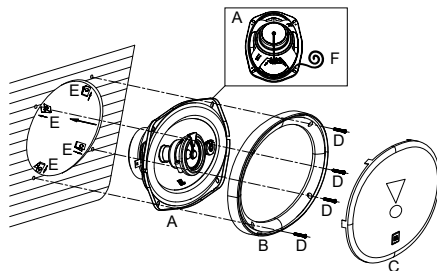
*70W RMS: Långsiktig maximal effekt enligt IEC 60268
35W RMS: 100H kontinuerlig testning vid nominell effekt refererar till IEC 60268

Stage1 962M

尺寸



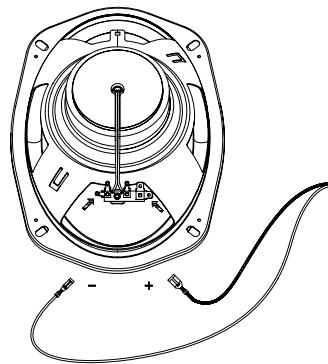
安装



产品清单

2x	2x	2x	8x	8x	2x

连接



参数规格

- 扬声器：6x9" (152x230mm) 三分频车载扬声器（有网罩）
- 功率处理能力：*70W RMS（峰值为560W）
- 灵敏度 (@2.83V)：91dB
- 频率响应：45Hz - 20kHz
- 标称阻抗：4Ω

Thiele-Small 参数

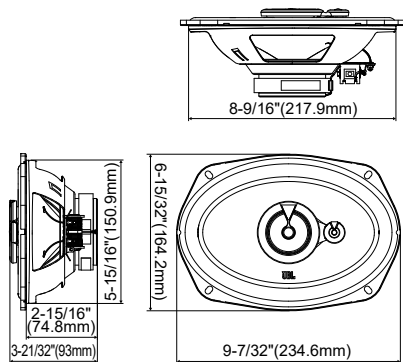
- BL (Tm): 4.048
- DCR (Ohms): 3.29
- Mms (g): 20.912
- Sd (cm²): 239
- Cms (um/N): 345
- Vas (L): 27.91
- Fs (Hz): 59.2
- Qes: 1.562
- Qms: 12.018
- Qts: 1.382
- 分频点: 4300Hz

*70W RMS: 参照 IEC 60268 标准的长期最大功率

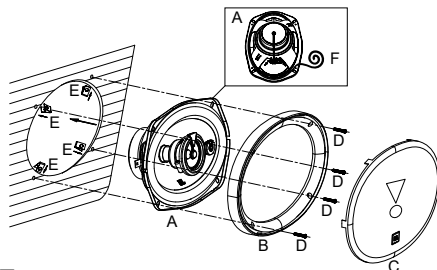
35W RMS: 参照 IEC 60268 标准，在额定功率下连续测试 100 小时

Stage1 962M

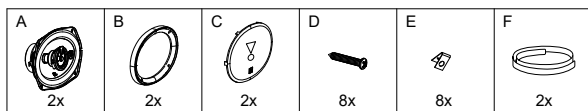
尺寸



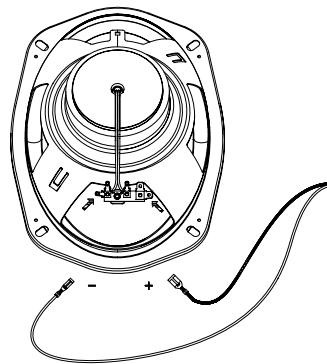
安裝



包裝盒內物品



連接



規格

- 喇叭：6x9" (152x230mm) 三音路車載喇叭，附網罩
- 功率處理：*70W RMS，560W 峰值
- 靈敏度 (@2.83V)：91dB
- 頻率回應：45Hz - 20kHz
- 標稱阻抗：4ohms

Thiele-Small 參數

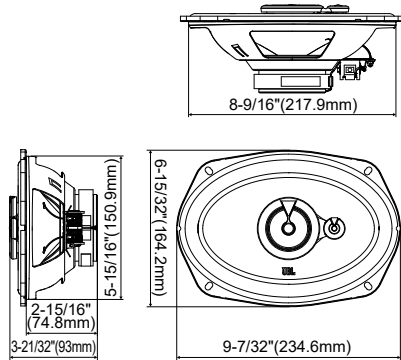
- BL (Tm): 4.048
- DCR (歐姆)：3.29
- Mms (g): 20.912
- Sd (cm²): 239
- Cms (um/N): 345
- Vas (L): 27.91
- Fs (Hz): 59.2
- Qes: 1.562
- Qms: 12.018
- Qts: 1.382
- 分頻點：4300Hz

*70W RMS: 長期最大功率，請參考 IEC 60268

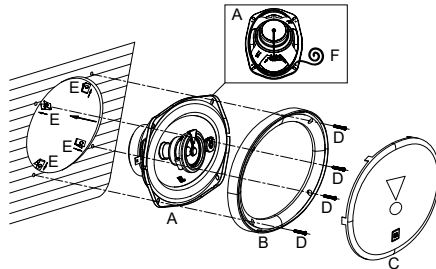
35W RMS: 於額定功率下進行 100H 持續測試，請參考 IEC 60268

Stage1 962M

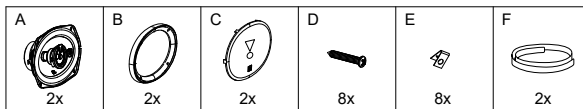
Dimensi



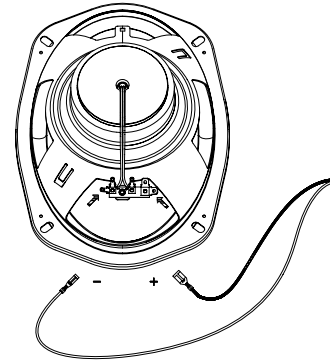
Instalasi



Isi kotak



Sambungan



Spesifikasi

- Speaker: Speaker Mobil Tiga Arah 6x9" (152x230mm) dengan Gril
- Penanganan Daya: *70 W RMS, 560 W puncak
- Sensitivitas (@2,83V): 91 dB
- Respons Frekuensi: 45Hz – 20kHz
- Impedansi Nominal: 4 ohm

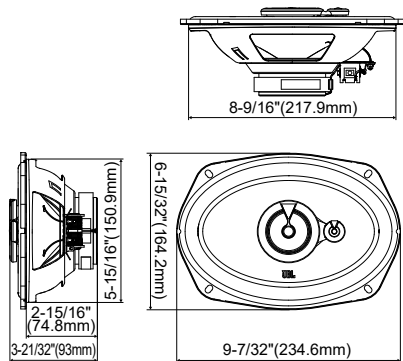
Parameter Thiele-Small

- BL (Tm): 4.048
- DCR (Ohm): 3.29
- Mms (g): 20.912
- Sd (cm²): 239
- Cms (um/N): 345
- Vas (L): 27.91
- Fs (Hz): 59.2
- Qes: 1.562
- Qms: 12.018
- Qts: 1.382
- Titik Crossover: 4300Hz

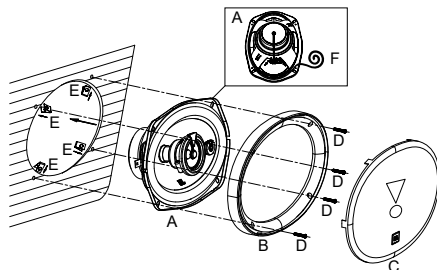
*70W RMS: Daya maksimum jangka panjang merujuk pada IEC 60268
35W RMS: Pengujian terus-menerus selama 100 jam pada daya terukur merujuk pada IEC 60268

Stage1 962M

치수



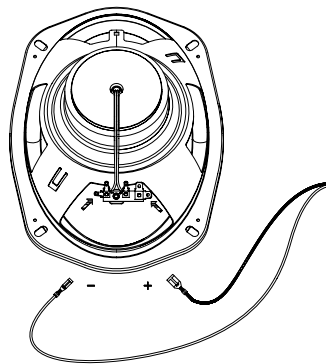
설치



구성품

2x	2x	2x	8x	8x	2x

연결



사양

- 스피커: 6x9인치(152x230mm) 3-way 차량 스피커(그릴 포함)
- 파워 핸들링: *70W RMS, 최대 560W
- 민감도(@2.83V): 91dB
- 주파수 응답: 45Hz - 20kHz
- 공칭 임피던스: 4ohms

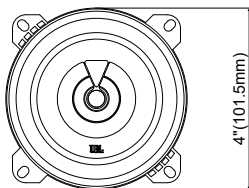
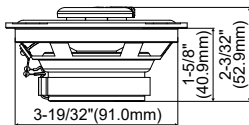
틸스몰 파라미터

- BL (Tm): 4.048
- DCR (Ω): 3.29
- Mms (g): 20.912
- Sd (cm²): 239
- Cms (um/N): 345
- Vas (L): 27.91
- Fs (Hz): 59.2
- Qes: 1.562
- Qms: 12.018
- Qts: 1.382
- 크로스오버 포인트: 4300Hz

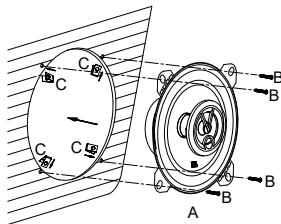
*70W RMS: 장기 최대 출력은 IEC 60268을 참조합니다
35W RMS: 정격 전력에서의 100H 연속 테스트는 IEC 60268을 참조합니다

Stage1 42F

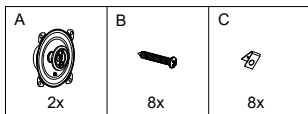
Dimension



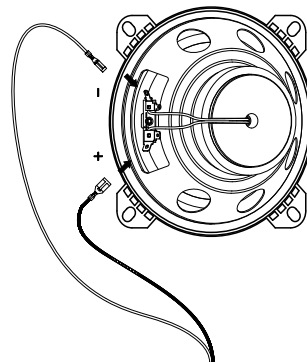
Installation



What's in the Box



Connection



Specifications

- Speaker: 4" (100mm) Coaxial Car Speaker without Grille
- Power Handling: *40W RMS, 320W peak
- Sensitivity (@2.83V): 88dB
- Frequency Response: 85Hz-20kHz
- Nominal Impedance: 4ohm

Thiele-Small Parameters

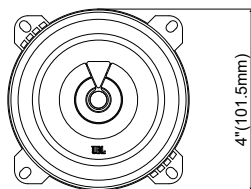
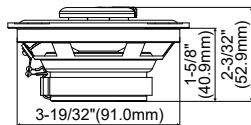
- BL (Tm): 2.521
- DCR (Ohms): 3.24
- Mms (g): 4.03
- Sd (cm²): 50.27
- Cms (um/N): 474
- Vas (L): 1.6958
- Fs (Hz): 115.1
- Qes: 1.485
- Qms: 7.957
- Qts: 1.251
- Crossover Point: 6600Hz

*40W RMS: Long-term maximum power refer to IEC 60268

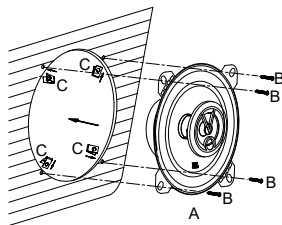
20W RMS: 100H continuous testing at rated power refers to IEC 60268

Stage1 42F

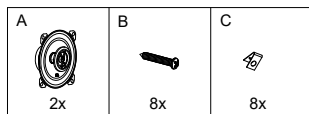
Dimensions



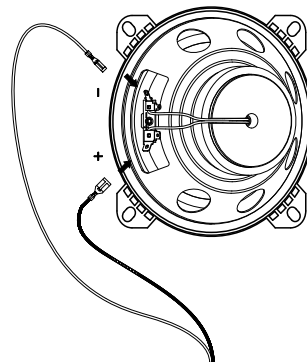
Installation



Contenu de la boîte



Connexion



Caractéristiques

- Haut-parleur : Haut-parleur de voiture coaxial de 4" (100 mm) sans grille
- Puissance admissible : *40 W RMS, 320 W crête
- Sensibilité (à 2,83 V) : 88 dB
- Réponse en fréquence : 85Hz – 20kHz
- Impédance nominale : 4 ohms

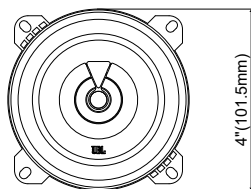
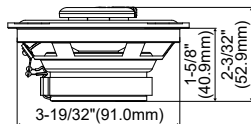
Paramètres de Thiele-Small

- BL (Tm) : 2.521
- DCR (Ohms) : 3.24
- Mms (g) : 4.03
- Sd (cm²) : 50.27
- Cms (um/N) : 474
- Vas (L) : 1.6958
- Fs (Hz) : 115.1
- Qes : 1.485
- Qms : 7.957
- Qts : 1.251
- Point de croisement : 6600Hz

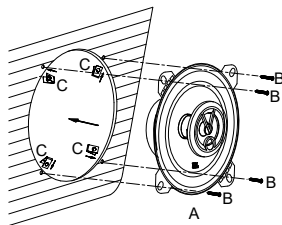
*40W RMS : La puissance maximale à long terme se réfère à IEC 60268
20W RMS : Le test continu 100H à puissance nominale se réfère à IEC 60268

Stage1 42F

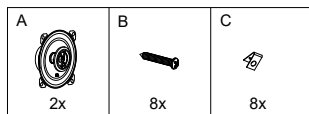
Mål



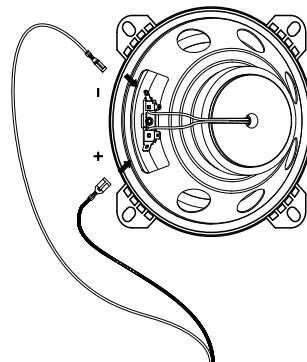
Installation



Hvad er der i æsken



Forbindelse



Specifikationer

- Højttaler: 4" (100 mm) koaksial bilhøjttaler med gitter
- Effekthåndtering: *40 W RMS, 320 W spidsbelastning
- Følsomhed (ved 2,83V): 88 dB
- Frekvensområde: 85Hz – 20kHz
- Nominel impedans: 4 ohm

Thiele-Small-parametre

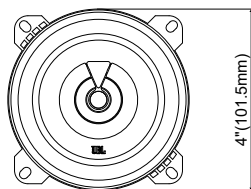
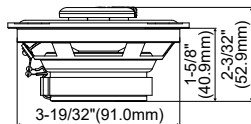
- BL (Tm): 2.521
- DCR (ohm): 3.24
- Mms (g): 4.03
- Sd (cm²): 50.27
- Cms (um/N): 474
- Vas (L): 1.6958
- Fs (Hz): 115.1
- Qes: 1.485
- Qms: 7.957
- Qts: 1.251
- Overgangspunkt: 6600Hz

*40W RMS: Maksimal effekt på lang sigt i henhold til IEC 60268

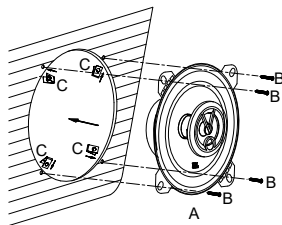
20W RMS: 100 timers kontinuerlig test ved nominal effekt refererer til IEC 60268

Stage1 42F

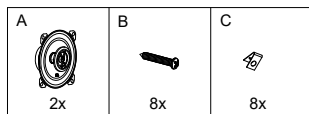
Abmessungen



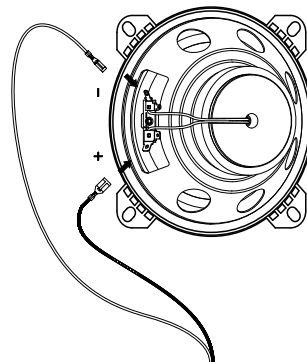
Installation



Verpackungsinhalt



Verbindung



Technische Daten

- Lautsprecher: 4 Zoll (100 mm) Koaxial-Autolautsprecher ohne Grill
- Belastbarkeit: *40 W (eff), 320 W (Spitze)
- Empfindlichkeit (bei 2,83 V): 88 dB
- Frequenzgang: 85Hz – 20kHz
- Nennimpedanz: 4 Ohm

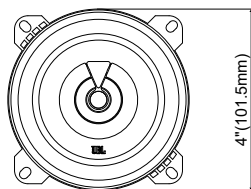
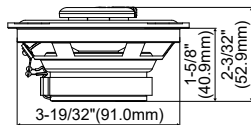
Thiele-Small-Parameter

- BL (Tm): 2.521
- DCR (Ohm): 3.24
- Mms (g): 4.03
- Sd (cm²): 50.27
- Cms (µm/N): 474
- Vas (L): 1.6958
- Fs (Hz): 115.1
- Qes: 1.485
- Qms: 7.957
- Qts: 1.251
- Crossover-Punkt: 6600Hz

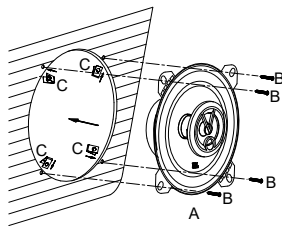
*40W RMS: Langfristig maximale Leistung gemäß IEC 60268
20W RMS: 100 Stunden Dauertest bei Nennleistung gemäß IEC 60268

Stage1 42F

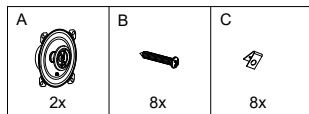
Dimensiones



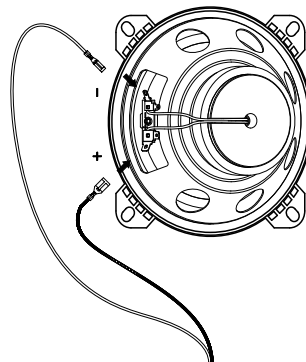
Instalación



Contenido de la caja



Conexión



Especificaciones

- Altavoz: Altavoces coaxiales de 4" (100 mm) sin rejilla para coche
- Capacidad de potencia: *40 W RMS, 320 W pico
- Sensibilidad (2,83 V): 88 dB
- Respuesta en frecuencia: 85Hz – 20kHz
- Impedancia nominal: 4 ohmios

Parámetros Thiele-Small

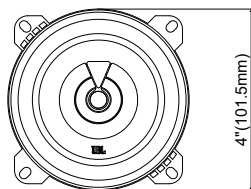
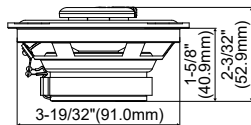
- BL (Tm): 2.521
- DCR (Ohms): 3.24
- Mms (g): 4.03
- Sd (cm²): 50.27
- Cms (um/N): 474
- Vas (L): 1.6958
- Fs (Hz): 115.1
- Qes: 1.485
- Qms: 7.957
- Qts: 1.251
- Punto de corte de frecuencia: 6600Hz

*40W RMS: Potencia máxima a largo plazo según la normativa IEC 60268

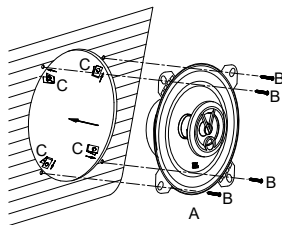
20W RMS: Prueba continua de 100 horas a potencia nominal según la normativa IEC 60268

Stage1 42F

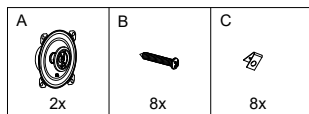
Mitat



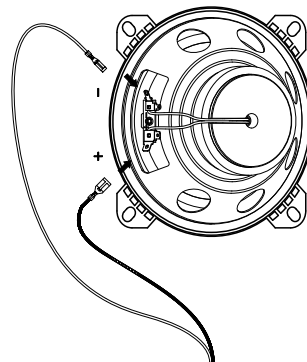
Asennus



Pakkauksen sisältö



Liitäntä



Tekniset tiedot

- Kaiutin: 4" (100 mm) koaksiaalinen ritilätön autokaiutin
- Tehonkesto: *40W RMS, 320W huippu
- Herkkyys (@2,83 V): 88dB
- Taajuusvaste: 85Hz – 20kHz
- Nimellisimpedanssi: 4 ohmia

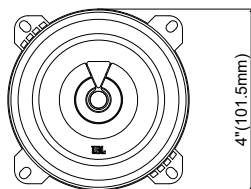
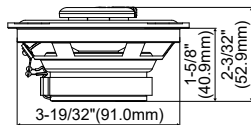
Thiele-Small-parametrit

- BL (Tm): 2.521
- DCR (Ohmia): 3.24
- Mms (g): 4.03
- Sd (cm²): 50.27
- Cms (um/N): 474
- Vas (L): 1.6958
- Fs (Hz): 115.1
- Qes: 1.485
- Qms: 7.957
- Qts: 1.251
- Crossover-kohta: 6600Hz

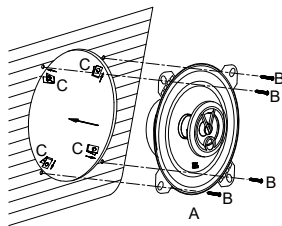
*40W RMS: Pitkäaikainen enimmäisteho on IEC 60268:n mukainen
20W RMS: 100h jatkuva testaus nimellisteholla viittaa standardiin IEC 60268

Stage1 42F

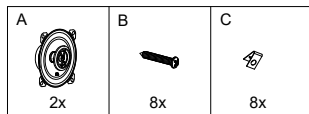
Dimensioni



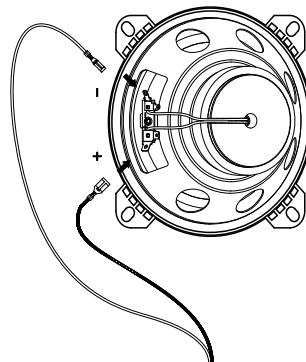
Installazione



Contenuto della confezione



Collegamento



Specifiche

- Altoparlante: Altoparlante coassiale per auto da 4" (100 mm), senza griglia
- Capacità di gestione della potenza: *40 W RMS, 320 W picco
- Sensibilità (a 2,83V): 88 dB
- Risposta in frequenza: 85Hz – 20kHz
- Impedenza nominale: 4 ohm

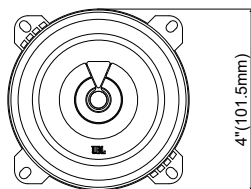
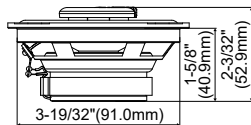
Thiele-Small Parameters

- BL (Tm): 2.521
- DCR (Ohm): 3.24
- Mms (g): 4.03
- Sd (cm²): 50.27
- Cms (um/N): 474
- Vas (L): 1.6958
- Fs (Hz): 115.1
- Qes: 1.485
- Qms: 7.957
- Qts: 1.251
- Punto di crossover: 6600Hz

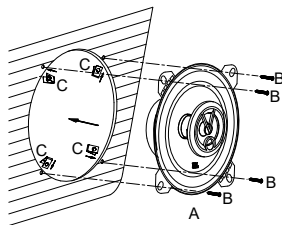
*40W RMS: La potenza massima a lungo termine fa riferimento alla norma IEC 60268
20W RMS: Il test continuo di 100 ore alla potenza nominale fa riferimento alla norma IEC 60268

Stage1 42F

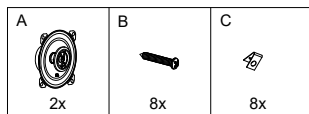
Afmetingen



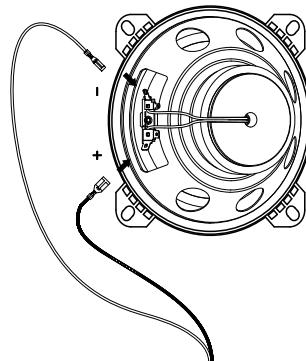
Installatie



Verpakkingsinhoud



Verbinding



Specificaties

- Luidspreker: 100 mm (4 inch) coaxiale autoluidspreker zonder rooster
- Vermogen: *40 W RMS, 320 W piek
- Gevoeligheid (2,83 V): 88 dB
- Frequentierespons: 85Hz – 20kHz
- Nominale impedantie: 4 ohm

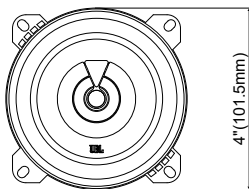
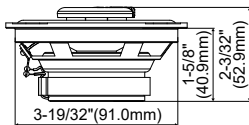
Thiele-kleine parameters

- BL (Tm): 2.521
- DCR (Ohms): 3.24
- Mms (g): 4.03
- Sd (cm²): 50.27
- Cms (um/N): 474
- Vas (L): 1.6958
- Fs (Hz): 115.1
- Qes: 1.485
- Qms: 7.957
- Qts: 1.251
- Crossover Point: 6600Hz

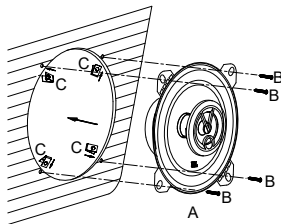
*40W RMS: Maximaal vermogen op lange termijn zie IEC 60268
20W RMS: 100H continu testen bij nominaal vermogen verwijst naar IEC 60268

Stage1 42F

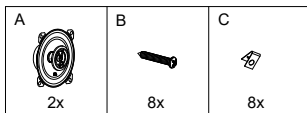
Mål



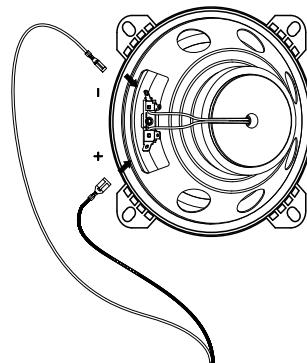
Installering



Eskens innhold



Tilkobling



Spesifikasjoner

- Høyttaler: 4" (100 mm) Koaksial bilhøyttaler uten gitter
- Effekthåndtering: *40 W RMS, 320 W topp
- Følsomhet (@2,83 V): 88 dB
- Frekvensrespons: 85Hz – 20kHz
- Nominell impedans: 4ohms

Thiele-Small-parametre

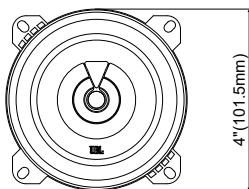
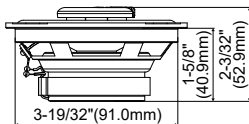
- BL (Tm): 2.521
- DCR (Ohms): 3.24
- Mms (g): 4.03
- Sd (cm²): 50.27
- Cms (um/N): 474
- Vas (L): 1.6958
- Fs (Hz): 115.1
- Qes: 1.485
- Qms: 7.957
- Qts: 1.251
- Krysspunkt: 6600Hz

*40W RMS: Maksimal effekt over lang tid henviser til IEC 60268

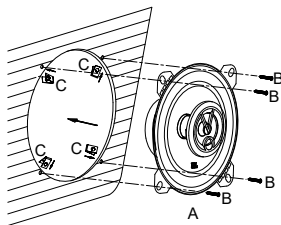
20W RMS: 100 H kontinuerlig testing ved nominell effekt henviser til IEC 60268

Stage1 42F

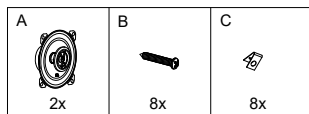
Mått



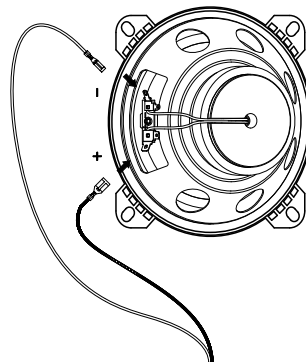
Installation



Vad finns i lådan



Anslutning



Specifikationer

- Högtalare: 4-tums (100 mm) koaxial bilhögtalare utan galler
- Effekthantering: *40 W RMS, 320 W max
- Känslighet (2,83 V): 88 dB
- Frekvensåtergivning: 85Hz – 20kHz
- Nominell impedans: 4 ohm

Thiele-små parametrar

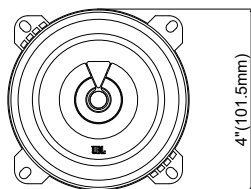
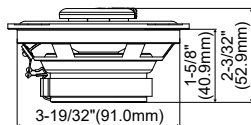
- BL (Tm): 2.521
- DCR (ohm): 3.24
- Mms (g): 4.03
- Sd (cm²): 50.27
- Cms (um/N): 474
- Vas (L): 1.6958
- Fs (Hz): 115.1
- Qes: 1.485
- Qms: 7.957
- Qts: 1.251
- Delningsfrekvens: 6600Hz

*40W RMS: Långsiktig maximal effekt enligt IEC 60268

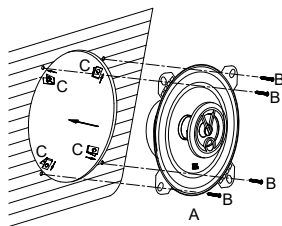
20W RMS: 100H kontinuerlig testning vid nominell effekt refererar till IEC 60268

Stage1 42F




尺寸



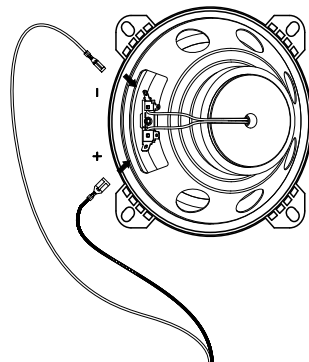
安装



产品清单

 A 2x	 B 8x	 C 8x
--	--	--

连接



参数规格

- 扬声器: 4" (100mm) 同轴车载扬声器 (无网罩)
- 功率处理能力: *40W RMS (峰值为 320W)
- 灵敏度 (@2.83V): 88dB
- 频率响应: 85Hz - 20kHz
- 标称阻抗: 4Ω

Thiele-Small 参数

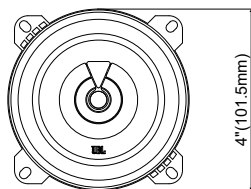
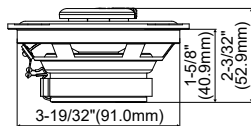
- BL (Tm): 2.521
- DCR (Ohms): 3.24
- Mms (g): 4.03
- Sd (cm²): 50.27
- Cms (um/N): 474
- Vas (L): 1.6958
- Fs (Hz): 115.1
- Qes: 1.485
- Qms: 7.957
- Qts: 1.251
- 分频点: 6600Hz

*40W RMS: 参照 IEC 60268 标准的长期最大功率

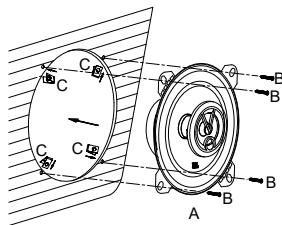
20W RMS: 参照 IEC 60268 标准, 在额定功率下连续测试 100 小时

Stage1 42F

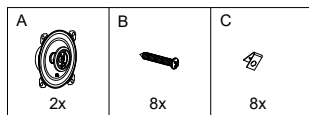
尺寸



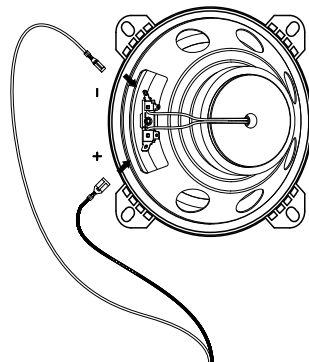
安裝



包裝盒內物品



連接



規格

- 喇叭：4" (100mm) 同軸車載喇叭，無網罩
- 功率處理：40W RMS，320W 峰值
- 靈敏度 (@2.83V)：88dB
- 頻率回應：85Hz - 20kHz
- 標稱阻抗：4ohms

Thiele-Small 參數

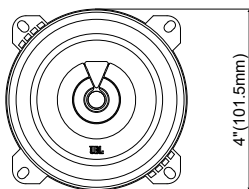
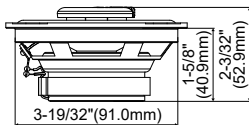
- BL (Tm): 2.521
- DCR (歐姆)：3.24
- Mms (g): 4.03
- Sd (cm²): 50.27
- Cms (um/N): 474
- Vas (L): 1.6958
- Fs (Hz): 115.1
- Qes: 1.485
- Qms: 7.957
- Qts: 1.251
- 分頻點：6600Hz

*40W RMS: 長期最大功率，請參考 IEC 60268

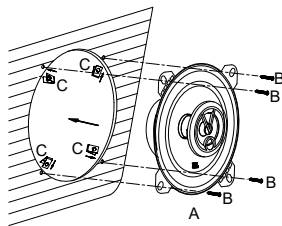
20W RMS: 於額定功率下進行 100H 持續測試，請參考 IEC 60268

Stage1 42F

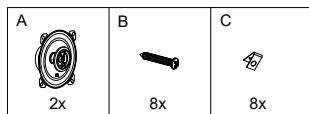
Dimensi



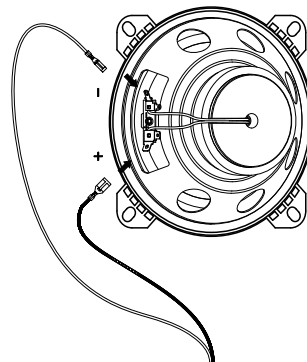
Instalasi



Isi kotak



Sambungan



Spesifikasi

- Speaker: Speaker Mobil Koaksial 4" (100mm) tanpa Gril
- Penanganan Daya: *40 W RMS, 320 W puncak
- Sensitivitas (@2,83V): 88 dB
- Respons Frekuensi: 85Hz – 20kHz
- Impedansi Nominal: 4 ohm

Parameter Thiele-Small

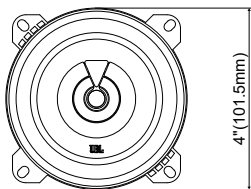
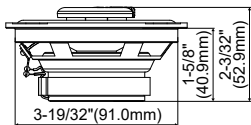
- BL (Tm): 2.521
- DCR (Ohm): 3.24
- Mms (g): 4.03
- Sd (cm²): 50.27
- Cms (um/N): 474
- Vas (L): 1.6958
- Fs (Hz): 115.1
- Qes: 1.485
- Qms: 7.957
- Qts: 1.251
- Titik Crossover: 6600Hz

*40W RMS: Daya maksimum jangka panjang merujuk pada IEC 60268

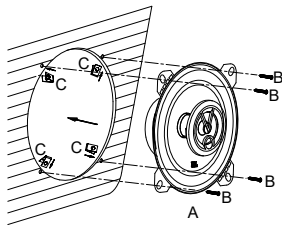
20W RMS: Pengujian terus-menerus selama 100 jam pada daya terukur merujuk pada IEC 60268

Stage1 42F

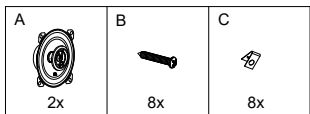
치수



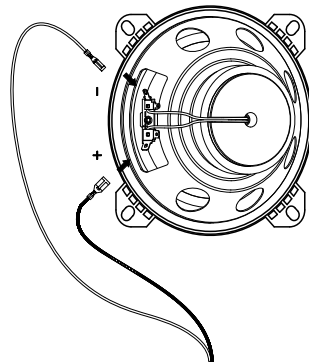
설치



구성품



연결



사양

- 스피커: 4인치(100mm) 동축 차량 스피커(그릴 미포함)
- 파워 핸들링: 40W RMS, 최대 320W
- 민감도(@2.83V): 88dB
- 주파수 응답: 85Hz - 20kHz
- 공칭 임피던스: 4ohms

틸스몰 파라미터

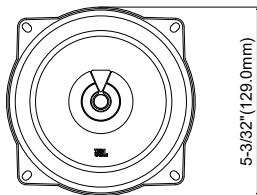
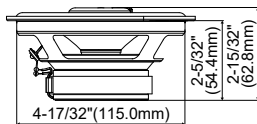
- BL (Tm): 2.521
- DCR (Ω): 3.24
- Mms (g): 4.03
- Sd (cm²): 50.27
- Cms (um/N): 474
- Vas (L): 1.6958
- Fs (Hz): 115.1
- Qes: 1.485
- Qms: 7.957
- Qts: 1.251
- 크로스오버 포인트: 6600Hz

*40W RMS: 장기 최대 출력은 IEC 60268을 참조합니다

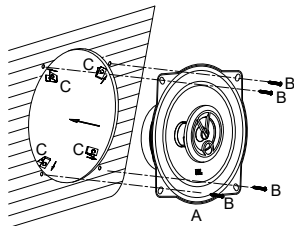
20W RMS: 정격 전력에서의 100H 연속 테스트는 IEC 60268을 참조합니다

Stage1 52F

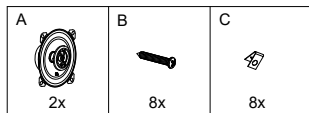
Dimension



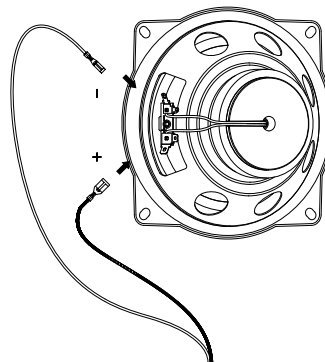
Installation



What's in the Box



Connection



Specifications

- Speaker: 5.25" (130mm) Coaxial Car Speaker without Grille
- Power Handling: *40W RMS, 320W peak
- Sensitivity (@2.83V): 88dB
- Frequency Response: 60Hz-20kHz
- Nominal Impedance: 4ohm

Thiele-Small Parameters

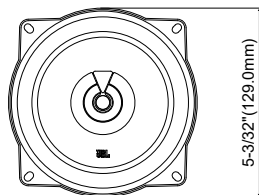
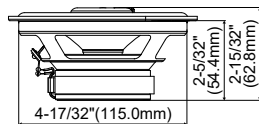
- BL (Tm): 2.515
- DCR (Ohms): 3.18
- Mms (g): 6.512
- Sd (cm²): 84.95
- Cms (um/N): 561
- Vas (L): 5.728
- Fs (Hz): 83.3
- Qes: 1.715
- Qms: 9.227
- Qts: 1.446
- Crossover Point: 5800Hz

*40W RMS: Long-term maximum power refer to IEC 60268

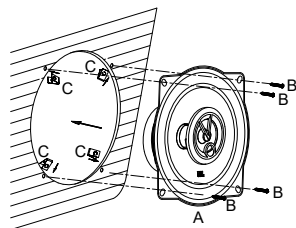
20W RMS: 100H continuous testing at rated power refers to IEC 60268

Stage1 52F

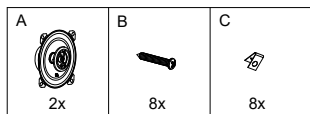
Dimensions



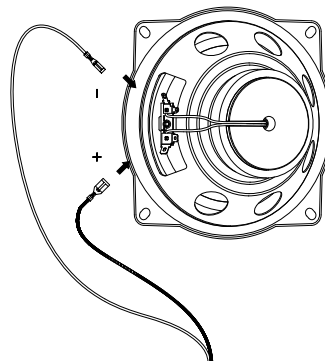
Installation



Contenu de la boîte



Connexion



Caractéristiques

- Haut-parleur : Haut-parleur de voiture coaxial de 5,25" (130 mm) sans grille
- Puissance admissible : *40 W RMS, 320 W crête
- Sensibilité (à 2,83 V) : 88 dB
- Réponse en fréquence : 60Hz – 20kHz
- Impédance nominale : 4 ohms

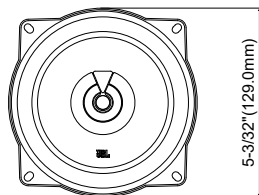
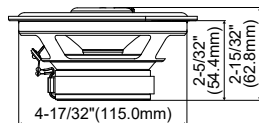
Paramètres de Thiele-Small

- BL (Tm) : 2.515
- DCR (Ohms) : 3.18
- Mms (g) : 6.512
- Sd (cm²) : 84.95
- Cms (um/N) : 561
- Vas (L) : 5.728
- Fs (Hz) : 83.3
- Qes : 1.715
- Qms : 9.227
- Qts : 1.446
- Point de croisement : 5800Hz

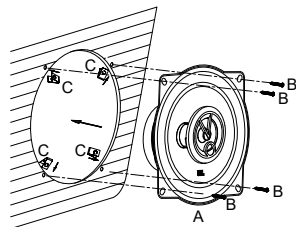
*40W RMS : La puissance maximale à long terme se réfère à IEC 60268
20W RMS : Le test continu 100H à puissance nominale se réfère à IEC 60268

Stage1 52F

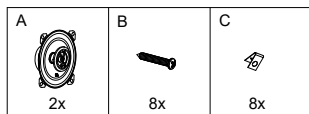
Mål



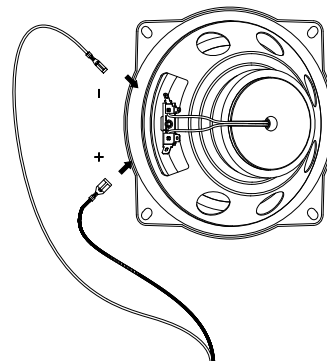
Installation



Hvad er der i æsken



Forbindelse



Specifikationer

- Højttaler: 5,25" (130 mm) koaksial bilhøjttaler med gitter
- Effekthåndtering: *40 W RMS, 320 W spidsbelastning
- Følsomhed (ved 2,83V): 88 dB
- Frekvensområde: 60Hz – 20kHz
- Nominel impedans: 4 ohm

Thiele-Small-parametre

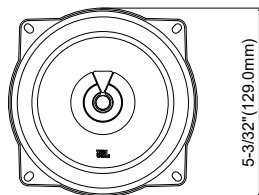
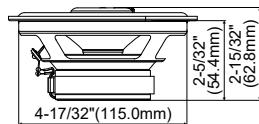
- BL (Tm): 2.515
- DCR (ohm): 3.18
- Mms (g): 6.512
- Sd (cm²): 84.95
- Cms (um/N): 561
- Vas (L): 5.728
- Fs (Hz): 83.3
- Qes: 1.715
- Qms: 9.227
- Qts: 1.446
- Overgangspunkt: 5800Hz

*40W RMS: Maksimal effekt på lang sigt i henhold til IEC 60268

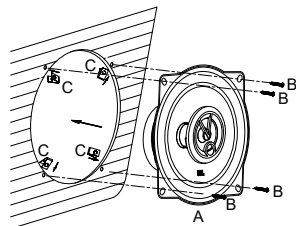
20W RMS: 100 timers kontinuerlig test ved nominal effekt refererer til IEC 60268

Stage1 52F

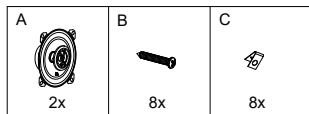
Abmessungen



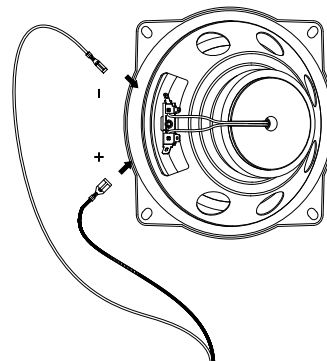
Installation



Verpackungsinhalt



Verbindung



Technische Daten

- Lautsprecher: 5,25 Zoll (130 mm)
Koaxial-Autolautsprecher ohne Grill
- Belastbarkeit: *40 W (eff), 320 W (Spitze)
- Empfindlichkeit (bei 2,83 V): 88 dB
- Frequenzgang: 60Hz – 20kHz
- Nennimpedanz: 4 Ohm

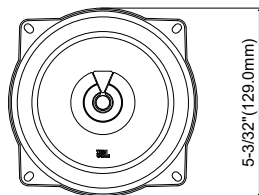
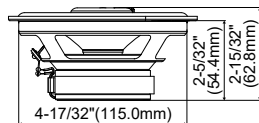
Thiele-Small-Parameter

- BL (Tm): 2.515
- DCR (Ohm): 3.18
- Mms (g): 6.512
- Sd (cm²): 84.95
- Cms (µm/N): 561
- Vas (L): 5.728
- Fs (Hz): 83.3
- Qes: 1.715
- Qms: 9.227
- Qts: 1.446
- Crossover-Punkt: 5800Hz

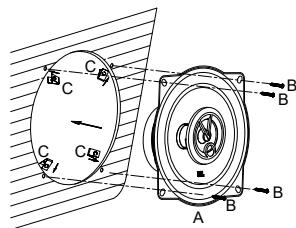
*40W RMS: Langfristig maximale Leistung gemäß IEC 60268
20W RMS: 100 Stunden Dauertest bei Nennleistung gemäß IEC 60268

Stage1 52F

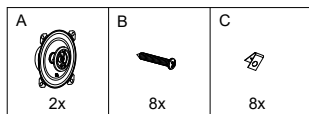
Dimensiones



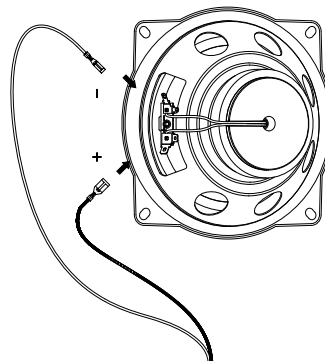
Instalación



Contenido de la caja



Conexión



Especificaciones

- Altavoz: Altavoces coaxiales de 5,25" (130 mm) sin rejilla para coche
- Capacidad de potencia: *40 W RMS, 320 W pico
- Sensibilidad (2,83 V): 88 dB
- Respuesta en frecuencia: 60Hz – 20kHz
- Impedancia nominal: 4 ohmios

Parámetros Thiele-Small

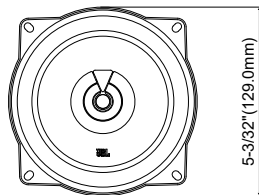
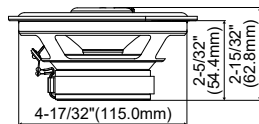
- BL (Tm): 2.515
- DCR (Ohms): 3.18
- Mms (g): 6.512
- Sd (cm²): 84.95
- Cms (um/N): 561
- Vas (L): 5.728
- Fs (Hz): 83.3
- Qes: 1.715
- Qms: 9.227
- Qts: 1.446
- Punto de corte de frecuencia: 5800Hz

*40W RMS: Potencia máxima a largo plazo según la normativa IEC 60268

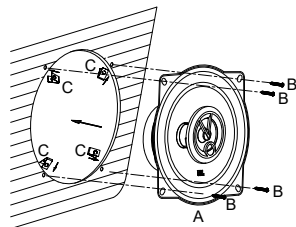
20W RMS: Prueba continua de 100 horas a potencia nominal según la normativa IEC 60268

Stage1 52F

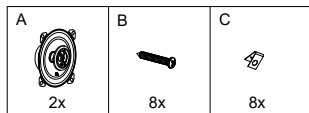
Mitat



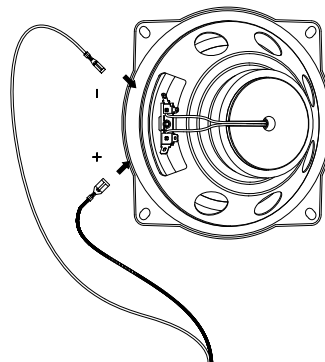
Asennus



Pakkauksen sisältö



Liitäntä



Tekniset tiedot

- Kaiutin: 5,25" (130 mm) koaksiaalinen ritilätön autokaiutin
- Tehonkesto: *40W RMS, 320W huippu
- Herkkyys (@2,83 V): 88dB
- Taajuusvaste: 60Hz – 20kHz
- Nimellisimpedanssi: 4 ohmia

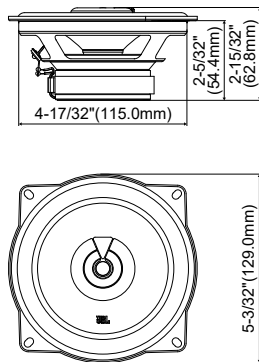
Thiele-Small-parametrit

- BL (Tm): 2.515
- DCR (Ohmia): 3.18
- Mms (g): 6.512
- Sd (cm²): 84.95
- Cms (um/N): 561
- Vas (L): 5.728
- Fs (Hz): 83.3
- Qes: 1.715
- Qms: 9.227
- Qts: 1.446
- Crossover-kohta: 5800Hz

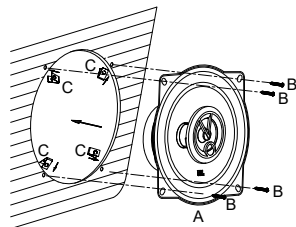
*40W RMS: Pitkäaikainen enimmäisteho on IEC 60268:n mukainen
20W RMS: 100h jatkuva testaus nimellisteholla viittaa standardiin IEC 60268

Stage1 52F

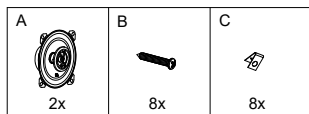
Dimensioni



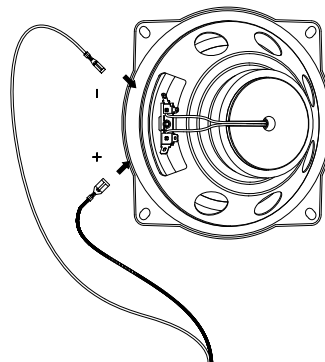
Installazione



Contenuto della confezione



Collegamento



Specifiche

- Altoparlante: Altoparlante coassiale per auto da 5,25" (130 mm), senza griglia
- Capacità di gestione della potenza: *40 W RMS, 320 W picco
- Sensibilità (a 2,83V): 88 dB
- Risposta in frequenza: 60Hz – 20kHz
- Impedenza nominale: 4 ohm

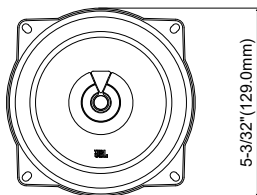
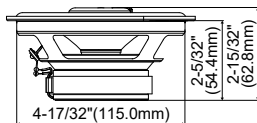
Thiele-Small Parameters

- BL (Tm): 2.515
- DCR (Ohm): 3.18
- Mms (g): 6.512
- Sd (cm²): 84.95
- Cms (um/N): 561
- Vas (L): 5.728
- Fs (Hz): 83.3
- Qes: 1.715
- Qms: 9.227
- Qts: 1.446
- Punto di crossover: 5800Hz

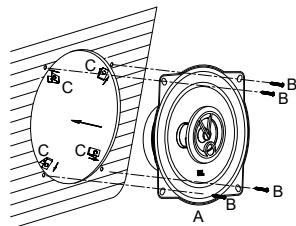
*40W RMS: La potenza massima a lungo termine fa riferimento alla norma IEC 60268
20W RMS: Il test continuo di 100 ore alla potenza nominale fa riferimento alla norma IEC 60268

Stage1 52F

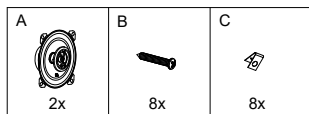
Afmetingen



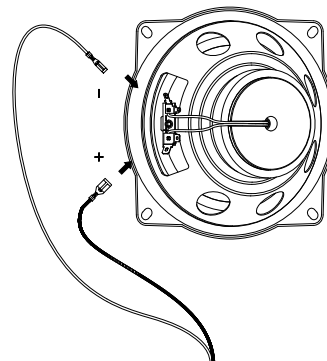
Installatie



Verpakkingsinhoud



Verbinding



Specificaties

- Luidspreker: 130 mm (5,25 inch) coaxiale autoluidspreker zonder rooster
- Vermogen: *40 W RMS, 320 W piek
- Gevoeligheid (2,83 V): 88 dB
- Frequentierespons: 60Hz – 20kHz
- Nominale impedantie: 4 ohm

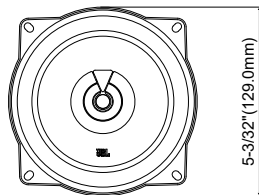
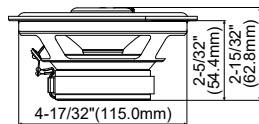
Thiele-kleine parameters

- BL (Tm): 2.515
- DCR (Ohms): 3.18
- Mms (g): 6.512
- Sd (cm²): 84.95
- Cms (um/N): 561
- Vas (L): 5.728
- Fs (Hz): 83.3
- Qes: 1.715
- Qms: 9.227
- Qts: 1.446
- Crossover Point: 5800Hz

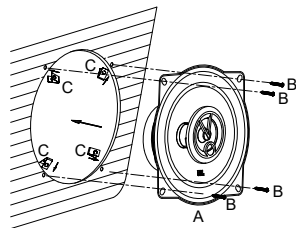
*40W RMS: Maximaal vermogen op lange termijn zie IEC 60268
20W RMS: 100H continu testen bij nominaal vermogen verwijst naar IEC 60268

Stage1 52F

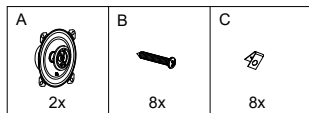
Mål



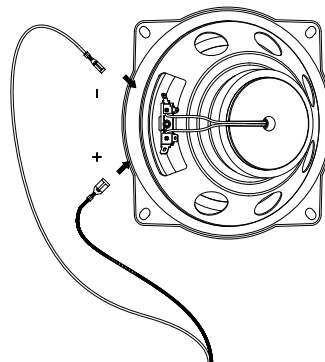
Installering



Eskens innhold



Tilkobling



Spesifikasjoner

- Høyttaler: 5,25" (130 mm) Koaksial bilhøyttaler uten gitter
- Effekthåndtering: *40 W RMS, 320 W topp
- Følsomhet (@2,83 V): 88 dB
- Frekvensrespons: 60Hz – 20kHz
- Nominell impedans: 4ohms

Thiele-Small-parametre

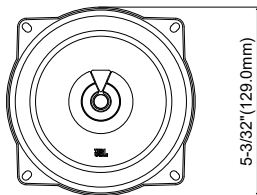
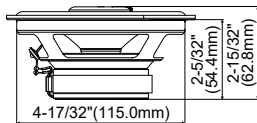
- BL (Tm): 2.515
- DCR (Ohms): 3.18
- Mms (g): 6.512
- Sd (cm²): 84.95
- Cms (um/N): 561
- Vas (L): 5.728
- Fs (Hz): 83.3
- Qes: 1.715
- Qms: 9.227
- Qts: 1.446
- Krysspunkt: 5800Hz

*40W RMS: Maksimal effekt over lang tid henviser til IEC 60268

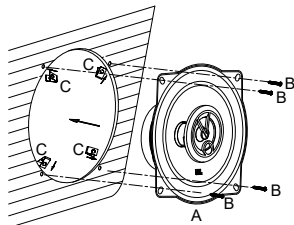
20W RMS: 100 H kontinuerlig testing ved nominell effekt henviser til IEC 60268

Stage1 52F

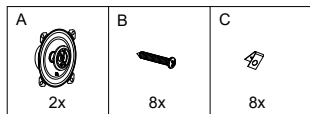
Mått



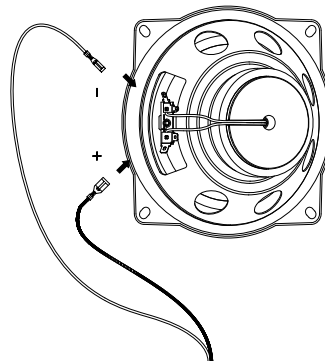
Installation



Vad finns i lådan



Anslutning



Specifikationer

- Högtalare: 5,25-tums (130 mm) koaxial bilhögtalare utan galler
- Effekthantering: *40 W RMS, 320 W max
- Känslighet (2,83 V): 88 dB
- Frekvensåtergivning: 60Hz – 20kHz
- Nominell impedans: 4 ohm

Thiele-små parametrar

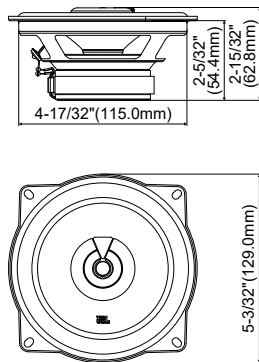
- BL (Tm): 2.515
- DCR (ohm): 3.18
- Mms (g): 6.512
- Sd (cm²): 84.95
- Cms (um/N): 561
- Vas (L): 5.728
- Fs (Hz): 83.3
- Qes: 1.715
- Qms: 9.227
- Qts: 1.446
- Delningsfrekvens: 5800Hz

*40W RMS: Långsiktig maximal effekt enligt IEC 60268

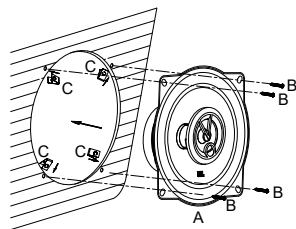
20W RMS: 100H kontinuerlig testning vid nominell effekt refererar till IEC 60268

Stage1 52F

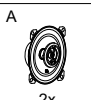
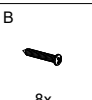
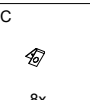
尺寸



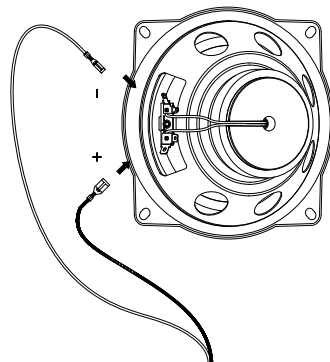
安装



产品清单

 A 2x	 B 8x	 C 8x
--	--	--

连接



参数规格

- 扬声器: 5.25" (130mm) 同轴车载扬声器 (无网罩)
- 功率处理能力: *40W RMS (峰值为 320W)
- 灵敏度 (@2.83V): 88dB
- 频率响应: 60Hz – 20kHz
- 标称阻抗: 4Ω

Thiele-Small 参数

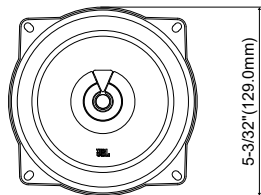
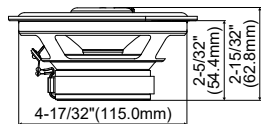
- BL (Tm): 2.515
- DCR (Ohms): 3.18
- Mms (g): 6.512
- Sd (cm²): 84.95
- Cms (um/N): 561
- Vas (L): 5.728
- Fs (Hz): 83.3
- Qes: 1.715
- Qms: 9.227
- Qts: 1.446
- 分频点: 5800Hz

*40W RMS: 参照 IEC 60268 标准的长期最大功率

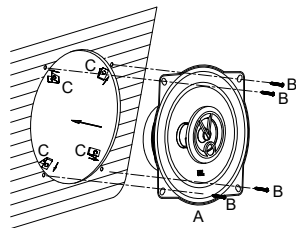
20W RMS: 参照 IEC 60268 标准, 在额定功率下连续测试 100 小时

Stage1 52F

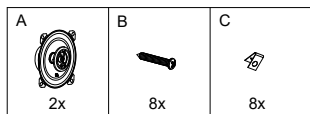
尺寸



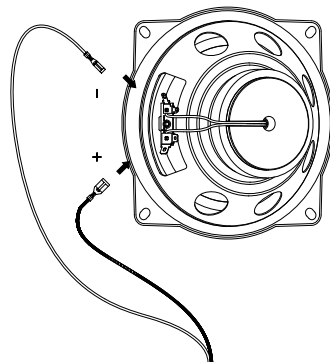
安裝



包裝盒內物品



連接



規格

- 喇叭：5.25" (130mm) 同軸車載喇叭，無網罩
- 功率處理：*40W RMS，320W 峰值
- 靈敏度 (@2.83V)：88dB
- 頻率回應：60Hz - 20kHz
- 標稱阻抗：4ohms

Thiele-Small 參數

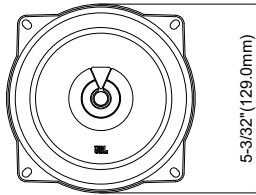
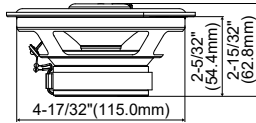
- BL (Tm): 2.515
- DCR (歐姆)：3.18
- Mms (g): 6.512
- Sd (cm²): 84.95
- Cms (um/N): 561
- Vas (L): 5.728
- Fs (Hz): 83.3
- Qes: 1.715
- Qms: 9.227
- Qts: 1.446
- 分頻點：5800Hz

*40W RMS: 長期最大功率，請參考 IEC 60268

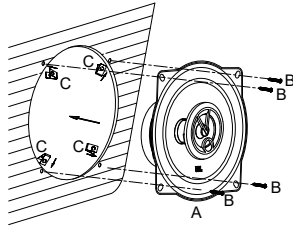
20W RMS: 於額定功率下進行 100H 持續測試，請參考 IEC 60268

Stage1 52F

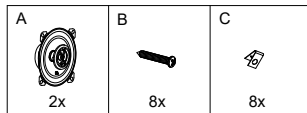
Dimensi



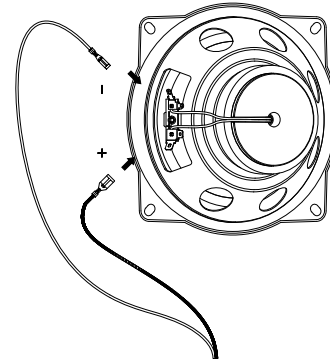
Instalasi



Isi kotak



Sambungan



Spesifikasi

- Speaker: Speaker Mobil Koaksial 5,25" (130mm) tanpa Gril
- Penanganan Daya: *40 W RMS, 320 W puncak
- Sensitivitas (@2,83V): 88 dB
- Respons Frekuensi: 60Hz – 20kHz
- Impedansi Nominal: 4 ohm

Parameter Thiele-Small

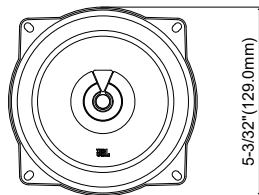
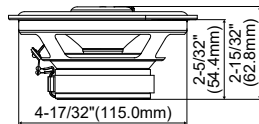
- BL (Tm): 2.515
- DCR (Ohm): 3.18
- Mms (g): 6.512
- Sd (cm²): 84.95
- Cms (um/N): 561
- Vas (L): 5.728
- Fs (Hz): 83.3
- Qes: 1.715
- Qms: 9.227
- Qts: 1.446
- Titik Crossover: 5800Hz

*40W RMS: Daya maksimum jangka panjang merujuk pada IEC 60268

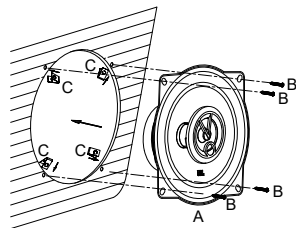
20W RMS: Pengujian terus-menerus selama 100 jam pada daya terukur merujuk pada IEC 60268

Stage1 52F

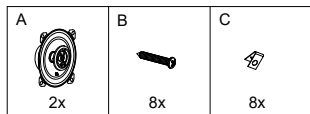
치수



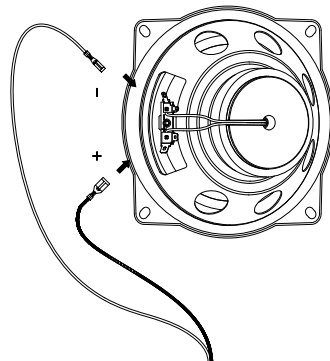
설치



구성품



연결



사양

- 스피커: 5.25인치(130mm) 동축 차량 스피커(그릴 미포함)
- 파워 핸들링: *40W RMS, 최대 320W
- 민감도(@2.83V): 88dB
- 주파수 응답: 60Hz - 20kHz
- 공칭 임피던스: 4ohms

틸스몰 파라미터

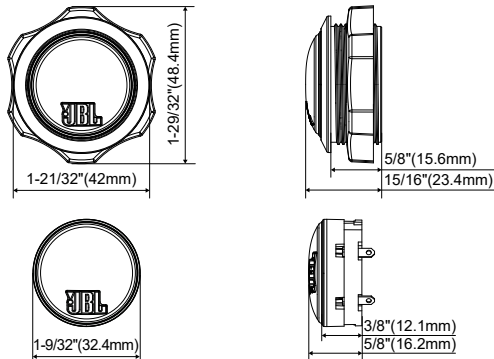
- BL (Tm): 2.515
- DCR (Ω): 3.18
- Mms (g): 6.512
- Sd (cm²): 84.95
- Cms (um/N): 561
- Vas (L): 5.728
- Fs (Hz): 83.3
- Qes: 1.715
- Qms: 9.227
- Qts: 1.446
- 크로스오버 포인트: 5800Hz

*40W RMS: 장기 최대 출력은 IEC 60268을 참조합니다

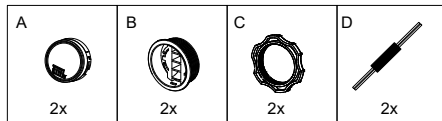
20W RMS: 정격 전력에서의 100H 연속 테스트는 IEC 60268을 참조합니다

Stage1 192T

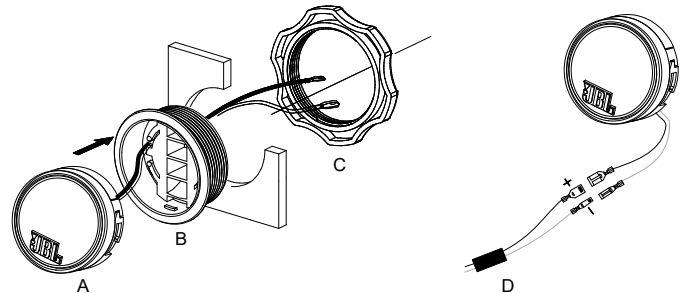
Dimension



What's in the Box



Installation



Specifications

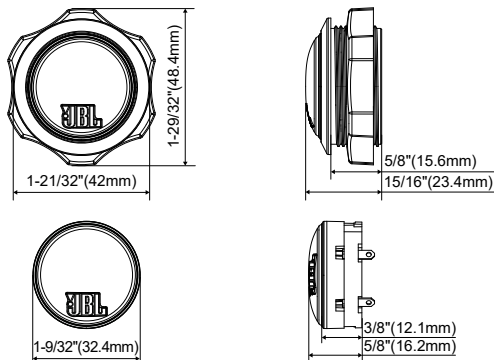
- Speaker: 3/4" (19mm) Edge-Driven Silk Dome Tweeter
- Power Handling: *80W RMS with Filter, 640W peak
- Sensitivity (@2.83V): 90dB
- Frequency Response: 2kHz – 20kHz
- Nominal Impedance: 4ohm

*80W RMS: Long-term maximum power refer to IEC 60268

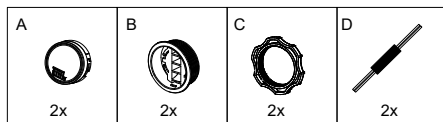
40W RMS: 100H continuous testing at rated power refers to IEC 60268

Stage1 192T

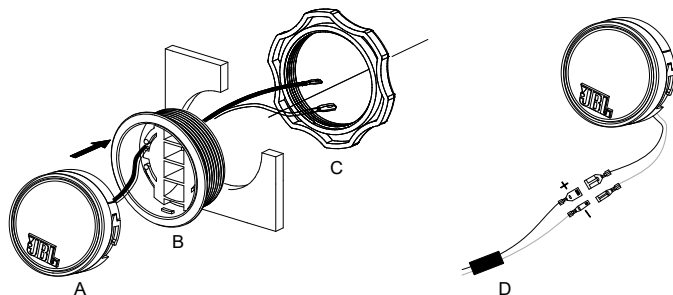
Dimensions



Contenu de la boîte



Installation



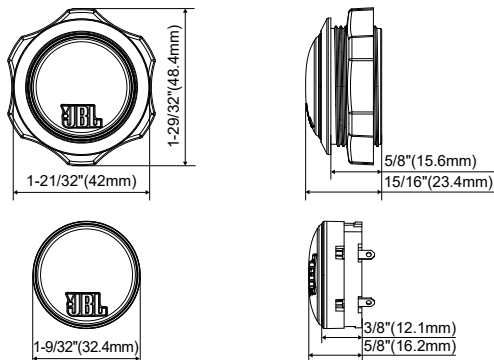
Caractéristiques

- Haut-parleur : Tweeter à dôme en soie étirée $3/4''$ (19 mm)
- Puissance admissible : *80 W RMS avec filtre, 640 W crête
- Sensibilité (à 2,83 V) : 90 dB
- Réponse en fréquence : 2 kHz – 20 kHz
- Impédance nominale : 4 ohms

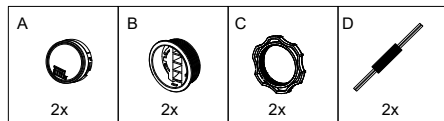
*80W RMS : La puissance maximale à long terme se réfère à IEC 60268
40W RMS : Le test continu 100H à puissance nominale se réfère à IEC 60268

Stage1 192T

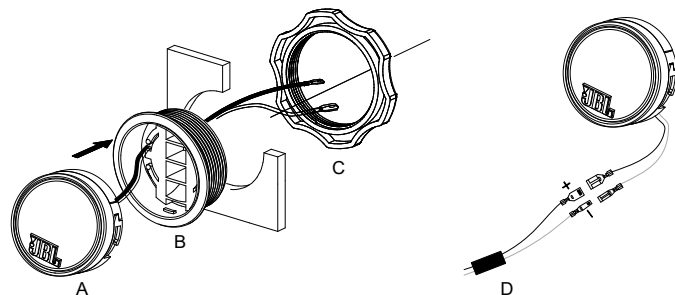
Mål



Hvad er der i æsken



Installation



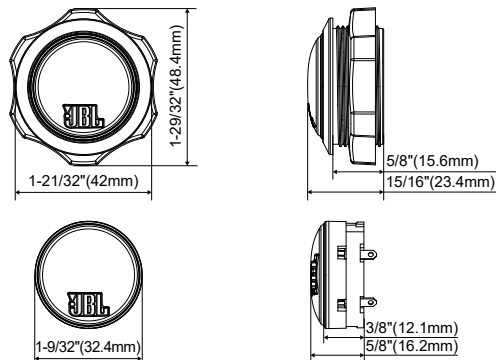
Specifikationer

- Højttaler: $3/4''$ (19 mm) kantdrevet silke-dome diskant
- Effekthåndtering: *80 W RMS med filter, 640 W spidsbelastning
- Følsomhed (ved 2,83V): 90 dB
- Frekvensområde: 2 kHz – 20 kHz
- Nominel impedans: 4 ohm

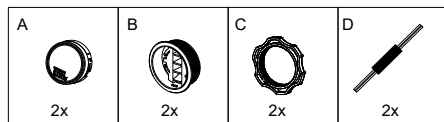
*80W RMS: Maksimal effekt på lang sigt i henhold til IEC 60268
40W RMS: 100 timers kontinuerlig test ved nominal effekt refererer til IEC 60268

Stage1 192T

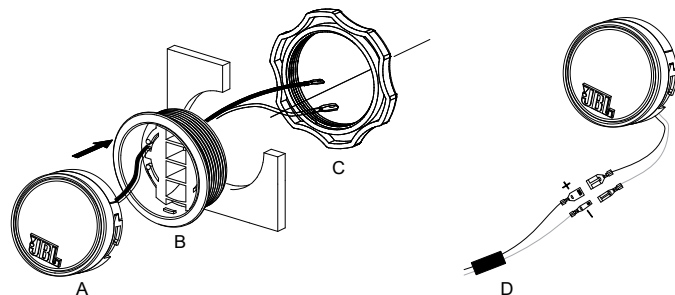
Abmessungen



Verpackungsinhalt



Installation



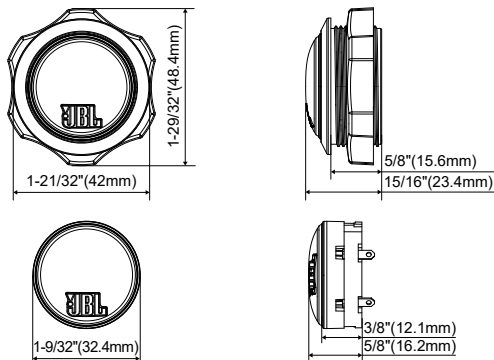
Technische Daten

- Lautsprecher: 3/4 Zoll (19 mm)
Kalottenhochtöner mit am Rand angetriebener Seidenmembran
- Belastbarkeit: *80 W (eff) mit Filter, 640 W (Spitze)
- Empfindlichkeit (bei 2,83 V): 90 dB
- Frequenzgang: 2 kHz – 20 kHz
- Nennimpedanz: 4 Ohm

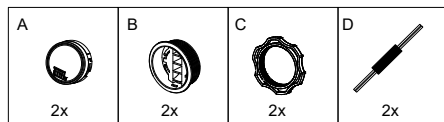
*80W RMS: Langfristig maximale Leistung gemäß IEC 60268
40W RMS: 100 Stunden Dauertest bei Nennleistung gemäß IEC 60268

Stage1 192T

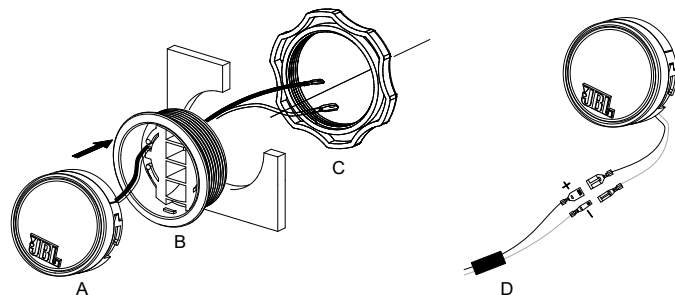
Dimensiones



Contenido de la caja



Instalación



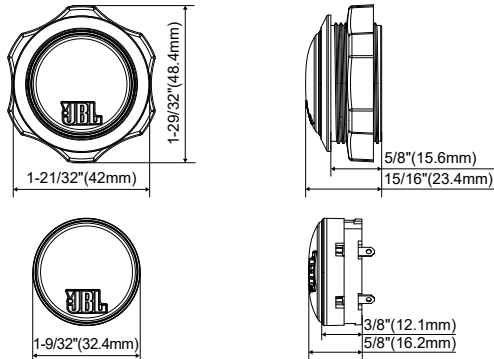
Especificaciones

- Altavoz: Tweeter de cúpula de seda de $3/4''$ (19 mm) redondo
- Capacidad de potencia: *80 W RMS con filtro, 640 W pico
- Sensibilidad (2,83 V): 90 dB
- Respuesta en frecuencia: 2 kHz - 20 kHz
- Impedancia nominal: 4 ohmios

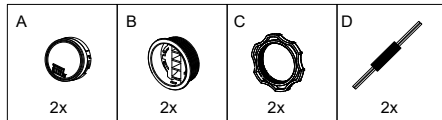
*80W RMS: Potencia máxima a largo plazo según la normativa IEC 60268
40W RMS: Prueba continua de 100 horas a potencia nominal según la normativa IEC 60268

Stage1 192T

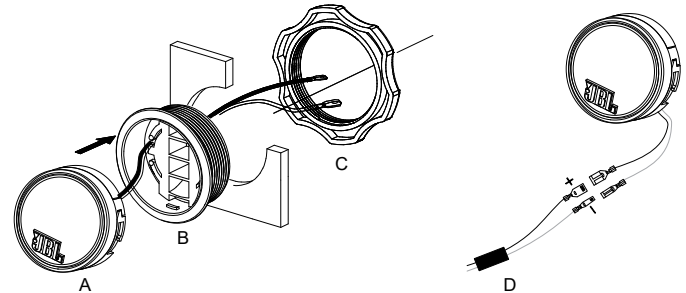
Mitat



Pakkauksen sisältö



Asennus



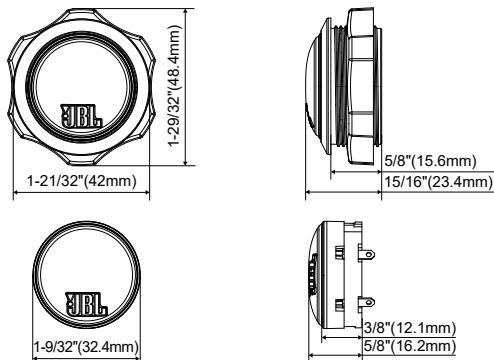
Tekniset tiedot

- Kaiutin: 3/4" (19 mm) reunaohjattu silkikalottidiskanttikaiutin
- Tehonkesto: *80 W RMS jakosuotimella, 640 W huippu
- Herkkyys (@2,83 V): 90dB
- Taajuusvaste: 2kHz – 20 kHz
- Nimellisimpedanssi: 4 ohmia

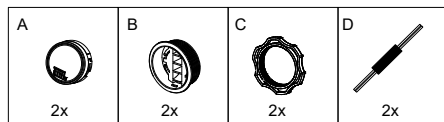
*80W RMS: Pitkäaikainen enimmäisteho on IEC 60268:n mukainen
40W RMS: 100h jatkuva testaus nimellisteholla viittaa standardiin IEC 60268

Stage1 192T

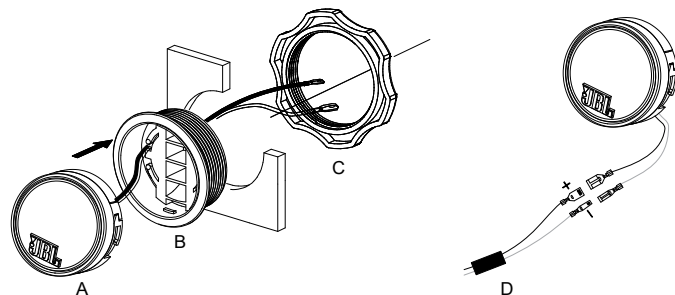
Dimensioni



Contenuto della confezione



Installazione



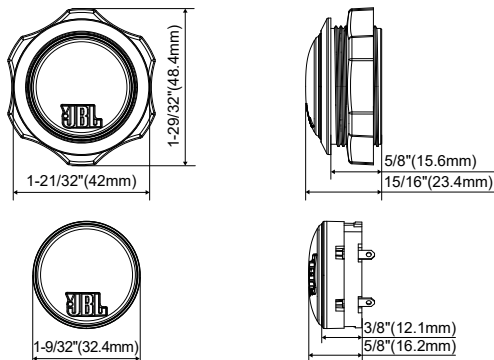
Collegamento

- Altoparlante: Tweeter a cupola in seta edge-driven da $3/4'' (19\text{mm})$
- Capacità di gestione della potenza: *80W RMS con filtro, 640W di picco
- Sensibilità (a 2,83V): 90 dB
- Risposta in frequenza: 2kHz - 20kHz
- Impedenza nominale: 4 ohm

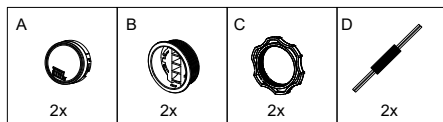
*80W RMS: La potenza massima a lungo termine fa riferimento alla norma IEC 60268
40W RMS: Il test continuo di 100 ore alla potenza nominale fa riferimento alla norma IEC 60268

Stage1 192T

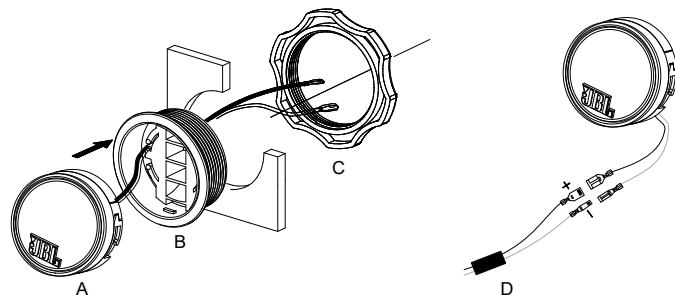
Afmetingen



Verpakkingsinhoud



Verbinding



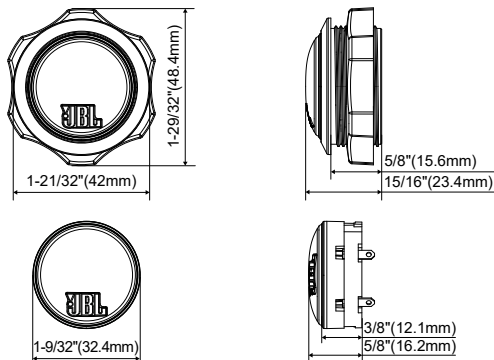
Specificaties

- Luidspreker: 19 mm (3/4 inch) edge-driven zijden koepeltweeter
- Vermogen: *80 W RMS met filter, 640 W piek
- Gevoeligheid (2,83 V): 90 dB
- Frequentierespons: 2 kHz – 20 kHz
- Nominale impedantie: 4 ohm

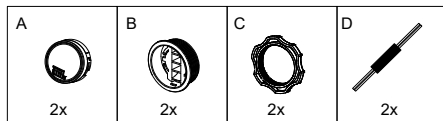
*80W RMS: Maximaal vermogen op lange termijn zie IEC 60268
40W RMS: 100H continu testen bij nominaal vermogen verwijst naar IEC 60268

Stage1 192T

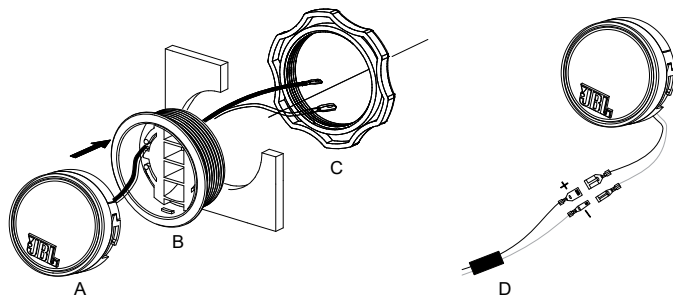
Mål



Eskens innhold



Installering



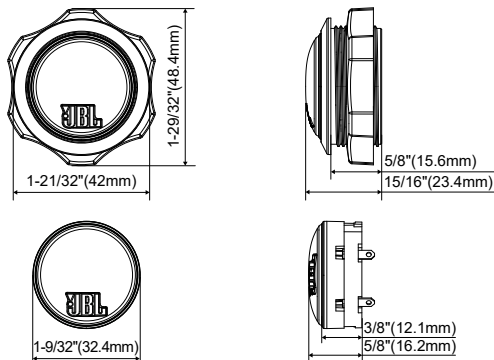
Spesifikasjoner

- Høyttaler: 3/4" (19 mm) Nyskapende Silkedome Diskanthøyttaler
- Effekthåndtering: *80 W RMS med filter, 640 W topp
- Følsomhet (@2,83 V): 90 dB
- Frekvensrespons: 2 kHz – 20 kHz
- Nominell impedans: 4ohms

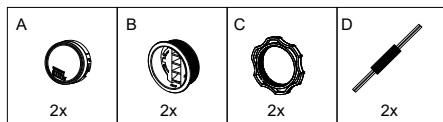
*80W RMS: Maksimal effekt over lang tid henviser til IEC 60268
40W RMS: 100 H kontinuerlig testing ved nominell effekt henviser til IEC 60268

Stage1 192T

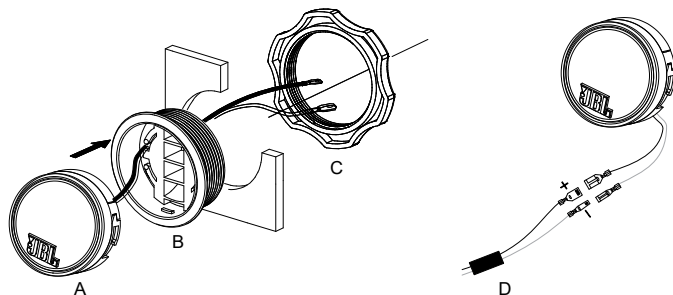
Mått



Vad finns i lådan



Installation



Specifikationer

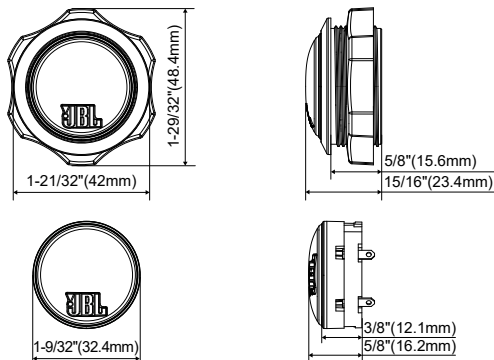
- Högtalare: 3/4-tums (19 mm) kantdriven silkesdomediskant
- Effekthantering: *80W RMS med filter, 640 W max
- Känslighet (2,83 V): 90 dB
- Frekvensåtergivning: 2 kHz–20 kHz
- Nominell impedans: 4 ohm

*80W RMS: Långsiktig maximal effekt enligt IEC 60268

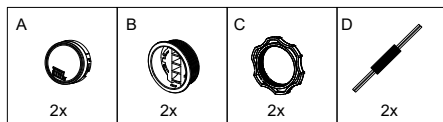
40W RMS: 100H kontinuerlig testning vid nominell effekt refererar till IEC 60268

Stage1 192T

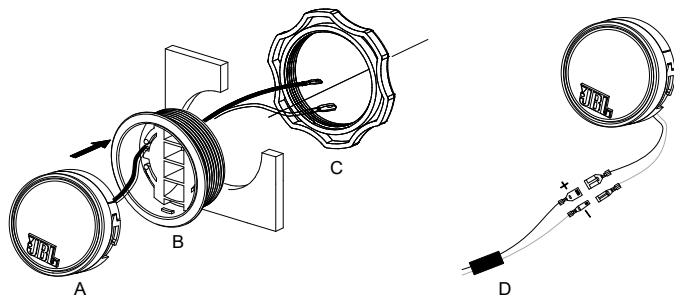
尺寸



产品清单



安装



参数规格

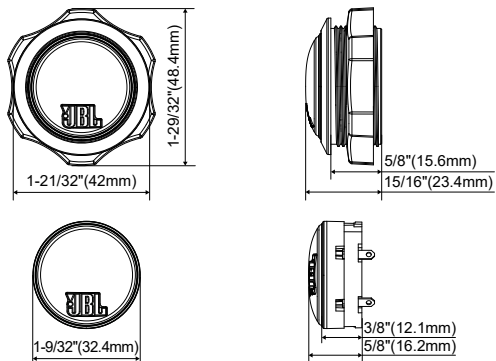
- 扬声器: 0.75" (19mm) 边缘驱动丝膜球顶高音单元
- 功率处理能力: *配有滤波器的情况下, 80W RMS (峰值为 640W)
- 灵敏度 (@2.83V): 90dB
- 频率响应: 2kHz - 20kHz
- 标称阻抗: 4Ω

*80W RMS: 参照 IEC 60268 标准的长期最大功率

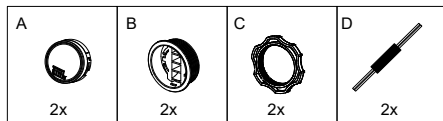
40W RMS: 参照 IEC 60268 标准, 在额定功率下连续测试 100 小时

Stage1 192T

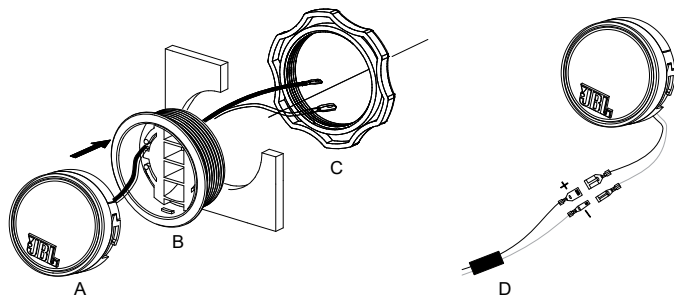
尺寸



包裝盒內物品



安裝



規格

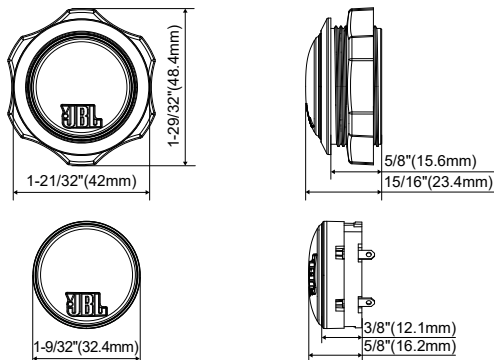
- 喇叭：3/4" (19mm) 邊緣驅動式絲質圓頂高音喇叭
- 功率處理：*80W RMS，帶濾波器，峰值 640W
- 靈敏度 (@2.83V)：90dB
- 頻率回應：2 kHz – 20 kHz
- 標稱阻抗：4ohms

*80W RMS: 長期最大功率，請參考 IEC 60268

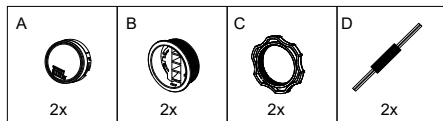
40W RMS: 於額定功率下進行 100H 持續測試，請參考 IEC 60268

Stage1 192T

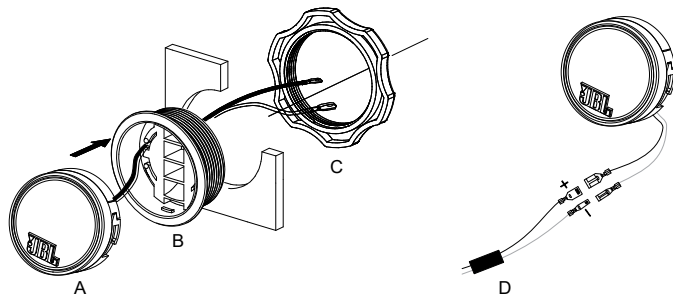
Dimensi



Isi kotak



Instalasi



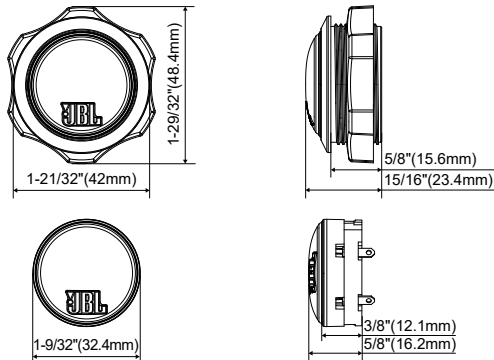
Spesifikasi

- Speaker: Tweeter Kubah Sutra Edge-Driven $3/4"$ (19mm)
- Penanganan Daya: *80W RMS dengan Filter, 640W puncak
- Sensitivitas (@2,83V): 90 dB
- Respons Frekuensi: 2 kHz – 20 kHz
- Impedansi Nominal: 4 ohm

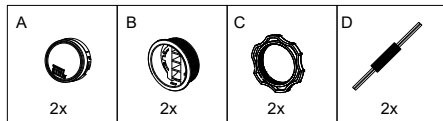
*80W RMS: Daya maksimum jangka panjang merujuk pada IEC 60268
40W RMS: Pengujian terus-menerus selama 100 jam pada daya terukur merujuk pada IEC 60268

Stage1 192T

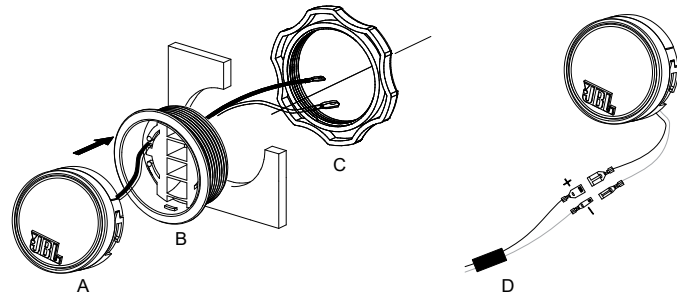
치수



구성품



설치



사양

- 스피커: 3/4인치(19mm) 엣지 구동 실 크 돔 트위터
- 파워 핸들링: *80W RMS(필터 포함), 최대 640W
- 민감도(@2.83V): 90dB
- 주파수 응답: 2kHz~20kHz
- 공칭 임피던스: 4ohms

*80W RMS: 장기 최대 출력은 IEC 60268을 참조합니다

40W RMS: 정격 전력에서의 100H 연속 테스트는 IEC 60268을 참조합니다



HARMAN International Industries, Incorporated,
8500 Balboa Boulevard, Northridge, CA 91329
USA

© 2024 HARMAN International Industries,
Incorporated. All rights reserved.

JBL is a trademark of HARMAN International
Industries, Incorporated, registered in the United States and/or other
countries.

Features, specifications and appearance are subject to change without notice.

UK
CA



FR
Cet appareil,
ses accessoires
et cordons
se recyclent

À DÉPOSER
EN MAGASIN

À DÉPOSER
EN DÉCHÈTERIE

OU

A simple line-art icon of a storefront with a canopy and a door.
A line-art icon of a person's hand dropping a piece of waste into a bin.

Points de collecte sur www.quefairedemesdechets.fr